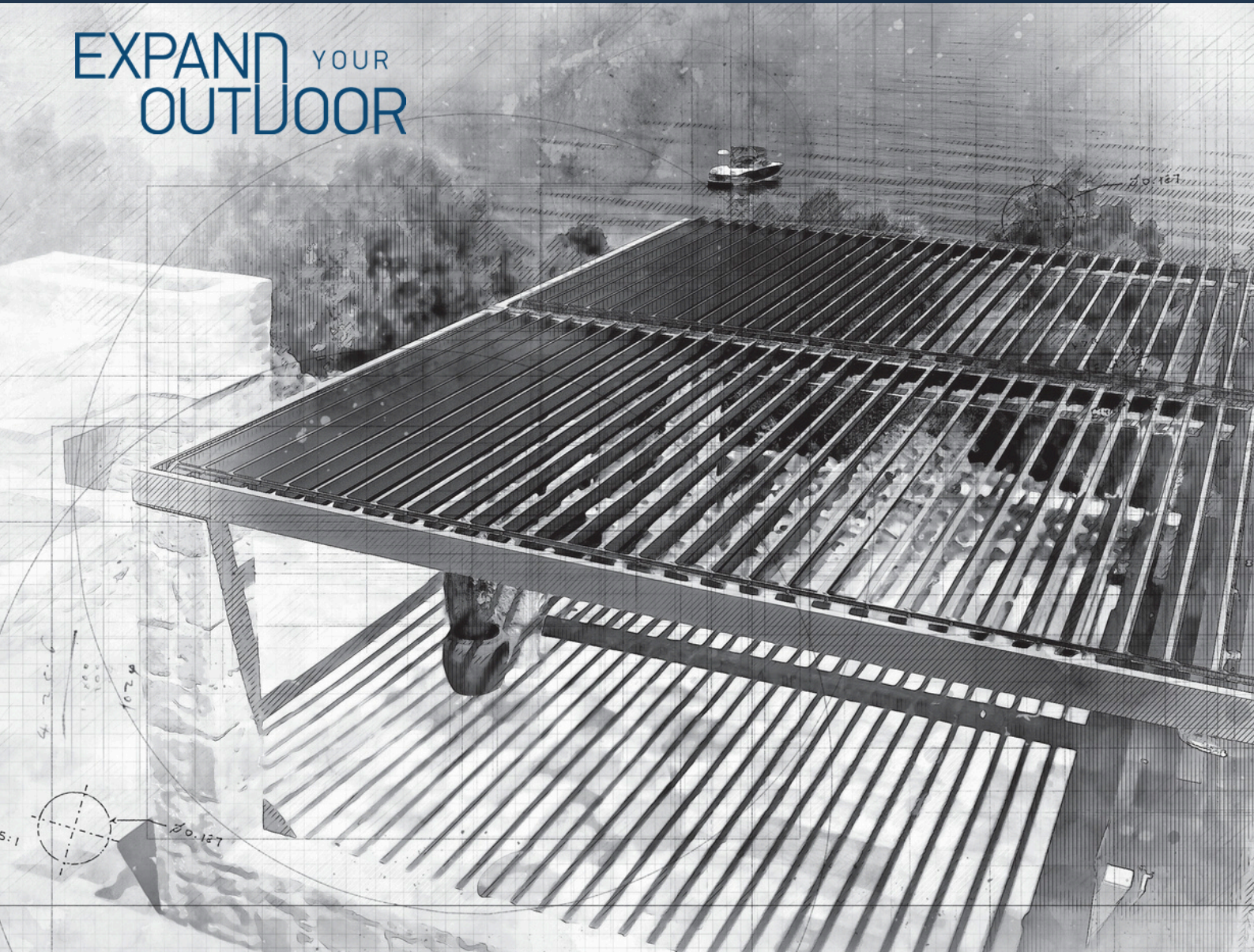




# SHADING SYSTEMS MANUAL

## Features - Specifications

EXPAND YOUR  
OUTDOOR



ISO 9001:2015



ISO 14001:2015



ISO 45001:2018

**FACTORY A:** 34th km of Nat. Rd. Lavrio - Kalyvia, Attica, 190 10

**FACTORY B:** 2nd km of Nat. Rd. Kalyvia - Markopoulo, Attica, 190 10

**Phone:** (+30) 22990 63015-6 **Fax:** (+30) 22990 63017 **E-mail:** info@lamda.com.gr

[lamda.com.gr](http://lamda.com.gr)



**LAMDA**  
AWNING SYSTEMS MANUFACTURER

**55+**

years of experience  
in shading

**110+**

employees

**50+**

countries of  
export



Modifications to this manual are likely to occur. The updated version with all changes can always be found on our site. [www.lamda.com.gr/en](http://www.lamda.com.gr/en)



Στο εγχειρίδιο αυτό είναι πιθανό να υπάρχουν τροποποιήσεις. Την ενημερωμένη έκδοση με όλες τις αλλαγές μπορείτε πάντα να την βρείτε στο site μας. [www.lamda.com.gr](http://www.lamda.com.gr)



Des modifications sont susceptibles d'être apportées à ce manuel. La version mise à jour avec tous les changements peut toujours être trouvée sur notre site. [www.lamda.com.gr/en](http://www.lamda.com.gr/en)



È probabile che vengano apportate modifiche al presente manuale. La versione aggiornata con tutte le modifiche è sempre disponibile sul nostro sito. [www.lamda.com.gr/en](http://www.lamda.com.gr/en)



Es probable que se produzcan modificaciones en este manual. La versión actualizada con todos los cambios siempre se puede encontrar en nuestro sitio. [www.lamda.com.gr/en](http://www.lamda.com.gr/en)

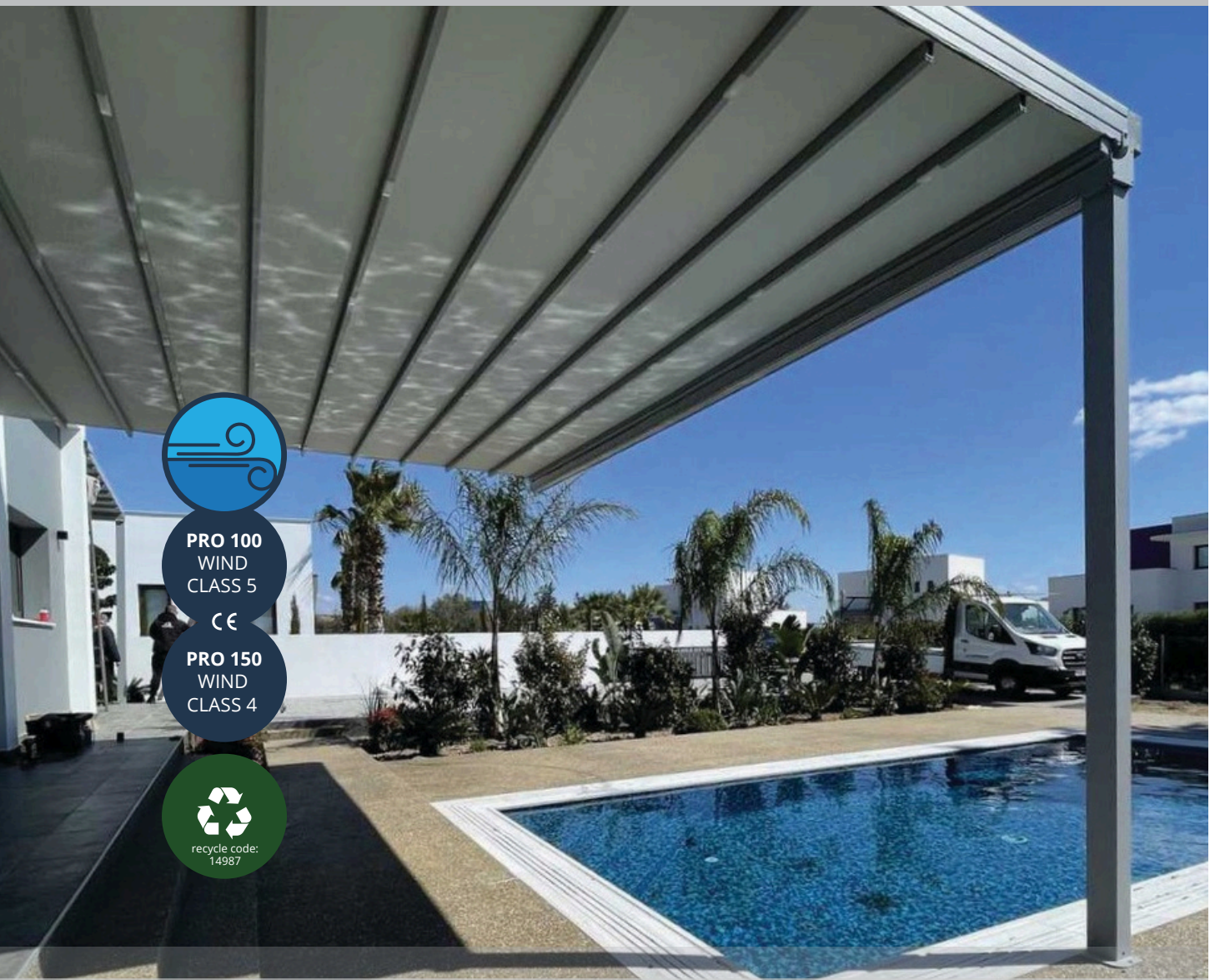


Es ist wahrscheinlich, dass dieses Handbuch geändert wird. Die aktualisierte Version mit allen Änderungen finden Sie immer auf unserer Website. [www.lamda.com.gr/en](http://www.lamda.com.gr/en)



# PERGOLA PROline

PERGOLAS



**PRO 100**  
WIND  
CLASS 5



**PRO 150**  
WIND  
CLASS 4



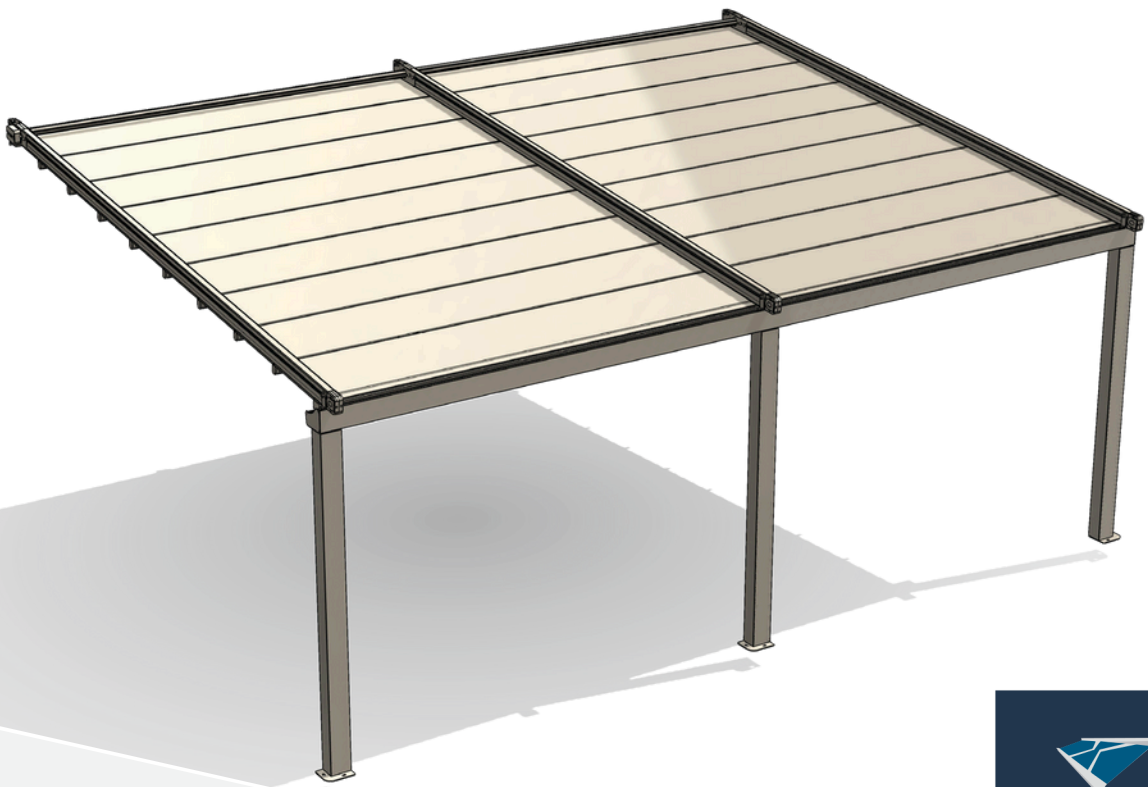
ISO 9001:2015



ISO 14001:2015



ISO 45001:2018



## GENERAL CHARACTERISTICS

Our **Pergola PRO line** awnings are robust and enduring, with three models available, all featuring single guides without joints and 90% of system screws remaining concealed:

- PRO100** | Designed for projections up to 16 ft 5 in
- PRO150** | Designed for projections up to 23 ft 0 in
- PROMega** | Designed for projections up to 32 ft 10 in

**Each model can cover expansive areas, with a maximum width of 49ft 2 in.**

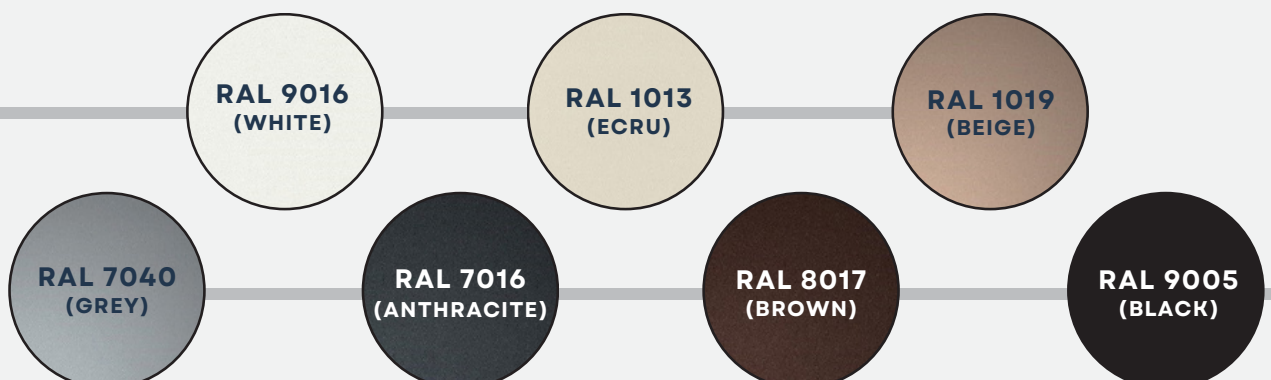
Our **PVC blackout cover fabric** is sourced from European manufacturers, including SATTLER, SIOEN, DICKSON and SERGE FERRARI.

**Powder coating** is applied as a standard, using high-resistance powder and we also offer enhanced **Marine-grade finish** for coastal areas.

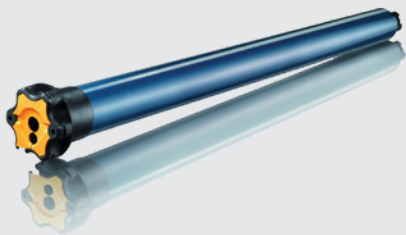
**i** A slope of 10% to 15% is required to ensure that rainwater collects in the front-mounted gutter

## RAL COLORS

AT NO ADDITIONAL COST



## ELECTRICAL OPERATION



**Pergola PRO line** systems operate with a **Somfy iO** wireless tubular motor, which can be conveniently managed with a smartphone or computer. The motor is furthermore equipped with an **automatic thermal stop** for protection.

## LIGHTING

Two lightning options are available for the covered area:

**STA spotlights** | ON/OFF switch

**LUX spotlights** | dimmer function

The spotlights, mounted on the intermediate beams are available in 3 light temperatures: **warm (3000K)** | **cool (6000K)** | **daylight (4000K)**

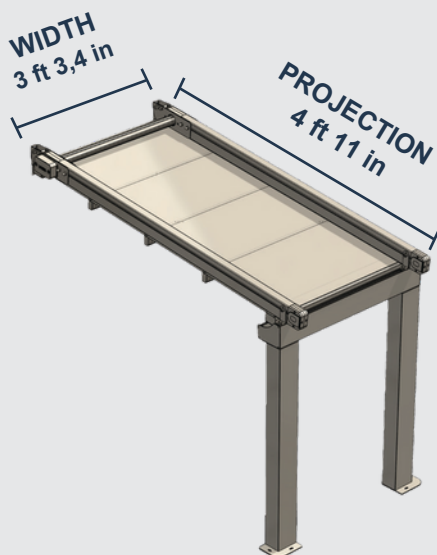
**i** **LUX spotlights** are available with **RGB**



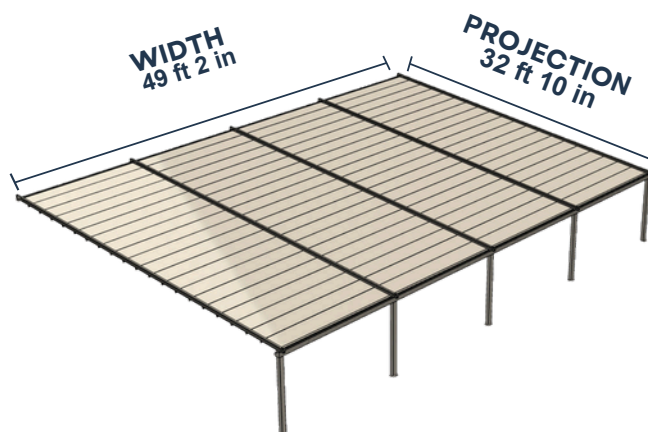
## TECHNICAL SPECIFICATIONS

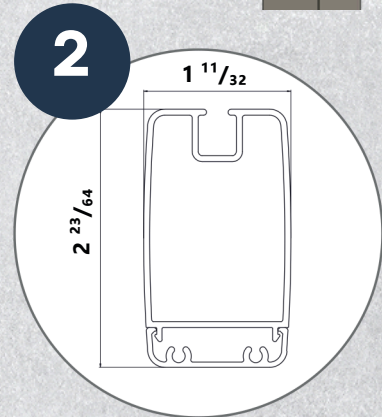
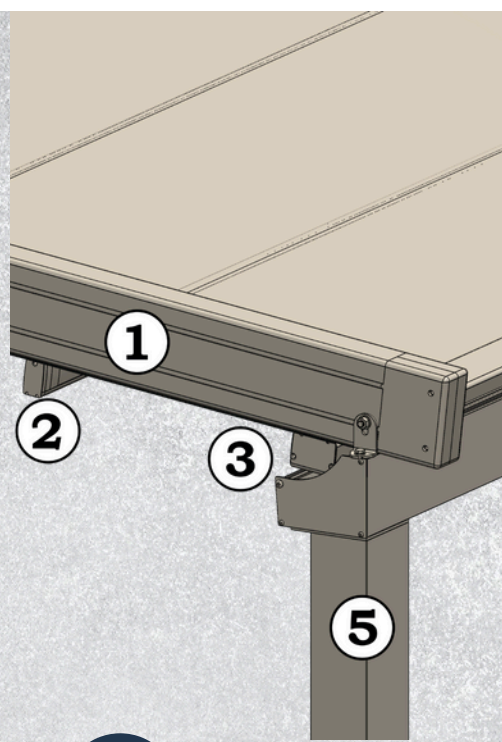
Installation manual available 

### MINIMUM DIMENSIONS

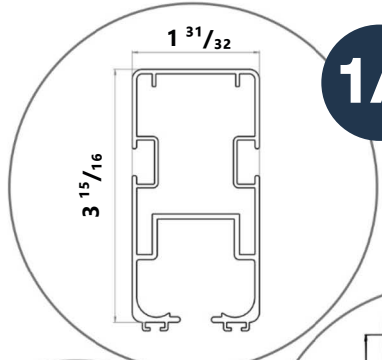
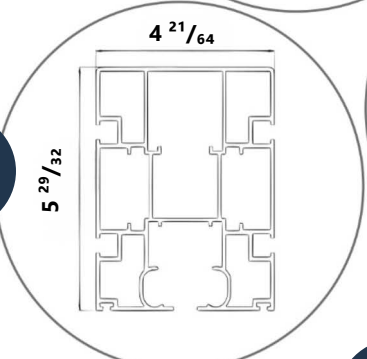


### MAXIMUM DIMENSIONS

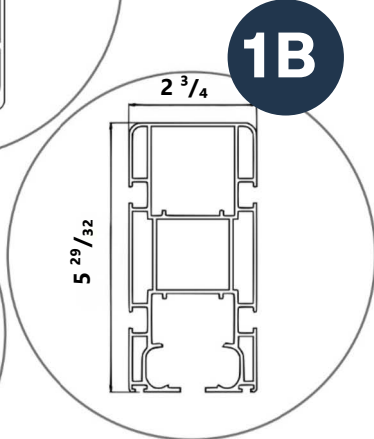




**1C**

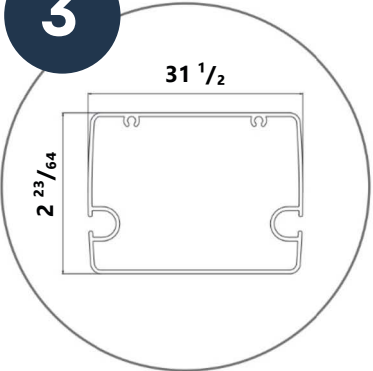


**1A**

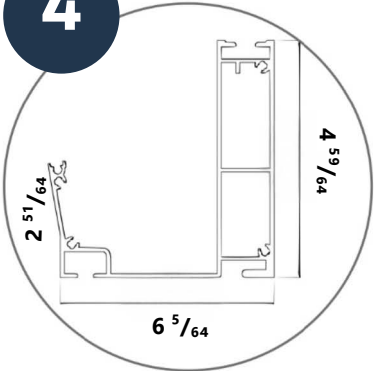


**1B**

**3**



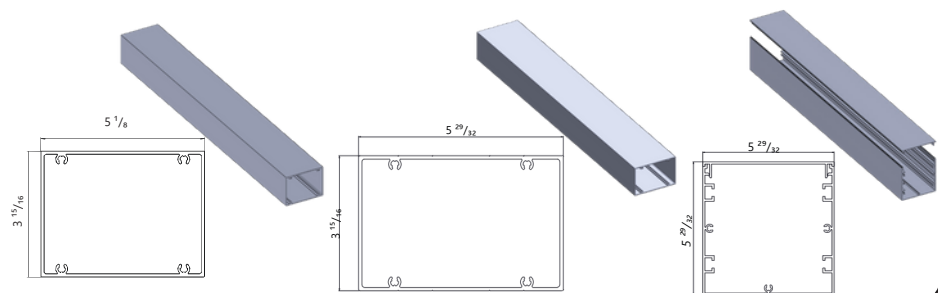
**4**



**5**

**PRO line systems** as for standard may be based on  
 STANDARD columns | 5.12 in x 3.94 in  
 LARGE columns | 5.91 in x 3.94 in

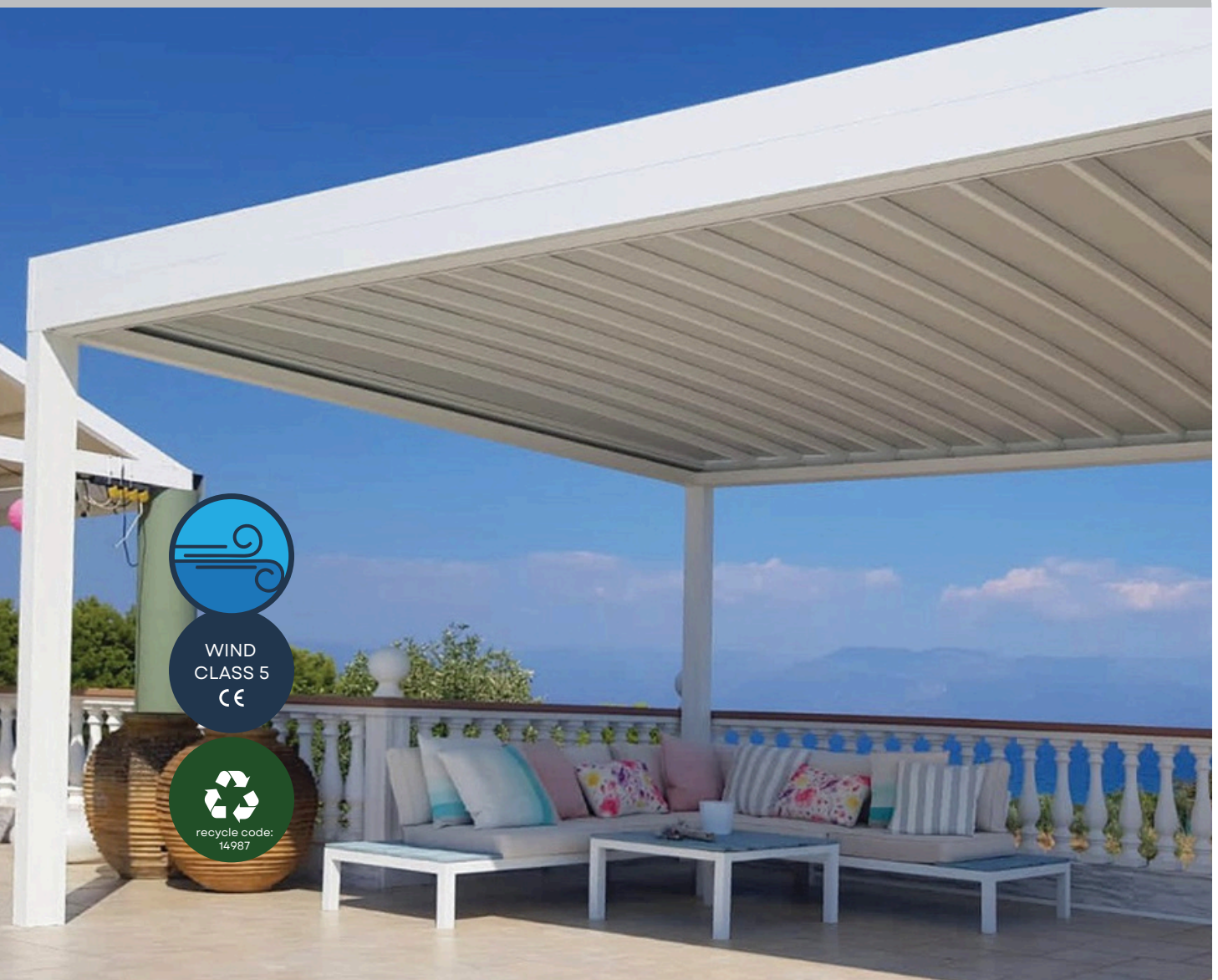
**RECOMMENDATION** | 5.91 in x 3.94 in  
 allowing clean corners free of obstacles and concealing all screws



Biennially service is mandatory.



# PERGOLA FLAT



WIND  
CLASS 5  
CE



recycle code:  
14987



ISO 9001:2015



ISO 14001:2015



ISO 45001:2018



## GENERAL CHARACTERISTICS

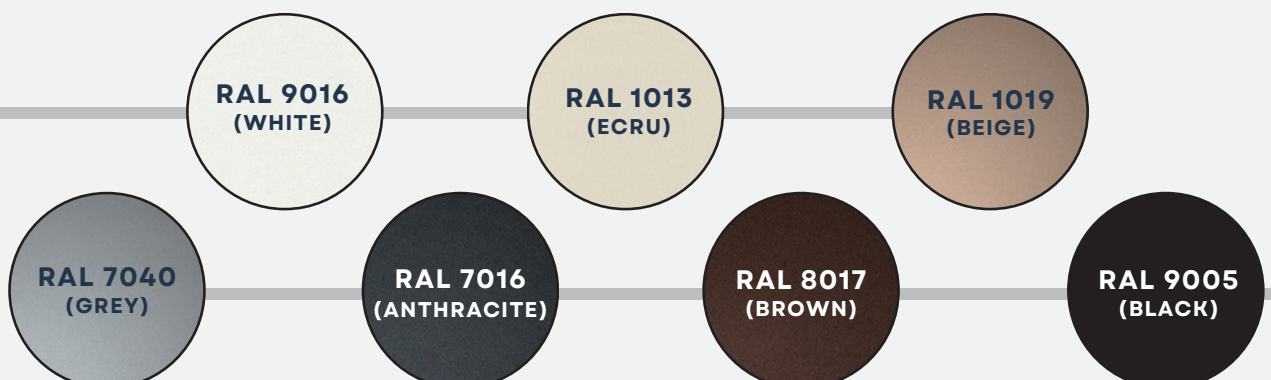
The **PERGOLA FLAT awning** is engineered for installation at a zero-degree inclination, meaning it is positioned horizontally. The curved intermediate beams facilitate the drainage of rainwater into the gutters situated around the system's perimeter.

The awning operates solely on two guides, allowing it to cover medium-sized areas of up to **16,4 ft x 22,96 ft**. Constructed entirely from aluminum, it can electro-statically coated in any RAL color.

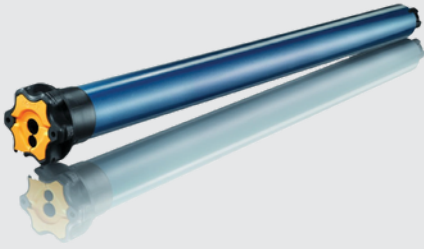
A **powder coating** is applied as a standard, using high-resistance powder and we also offer enhanced **Marine-grade** finish for coastal areas.

## RAL COLORS

AT NO ADDITIONAL COST



## ELECTRICAL OPERATION



The system operates with a **Somfy iO** wireless tubular motor, which can be conveniently managed with a smartphone or computer.

The motor is furthermore equipped with an **automatic thermal stop** for protection.

## LIGHTING



**PERGOLA FLAT** systems may be equipped with **LED spotlights** and **ambient lighting** along the perimeter as well as on the intermediate beams of the system.

**i** Lighting on the beams may also be **asymmetrical**.

LED lights are available in three different temperatures:

*warm (3000K) | cool (6000K) | daylight (4000K)*

**i** ON/OFF and DIMMER operation  
RGB available

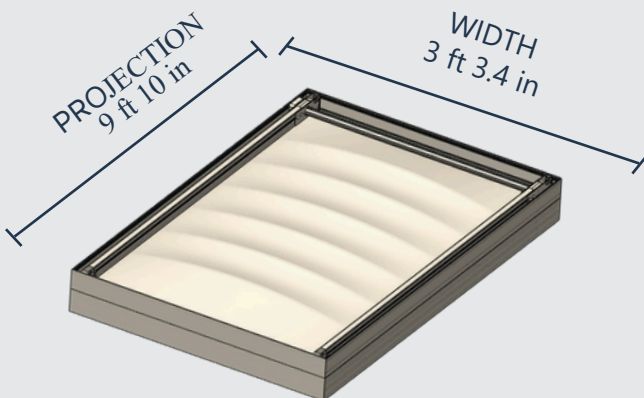


## TECHNICAL SPECIFICATIONS

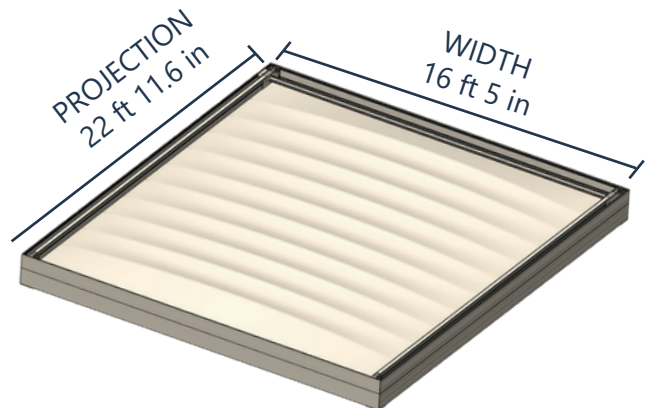
Installation manual available

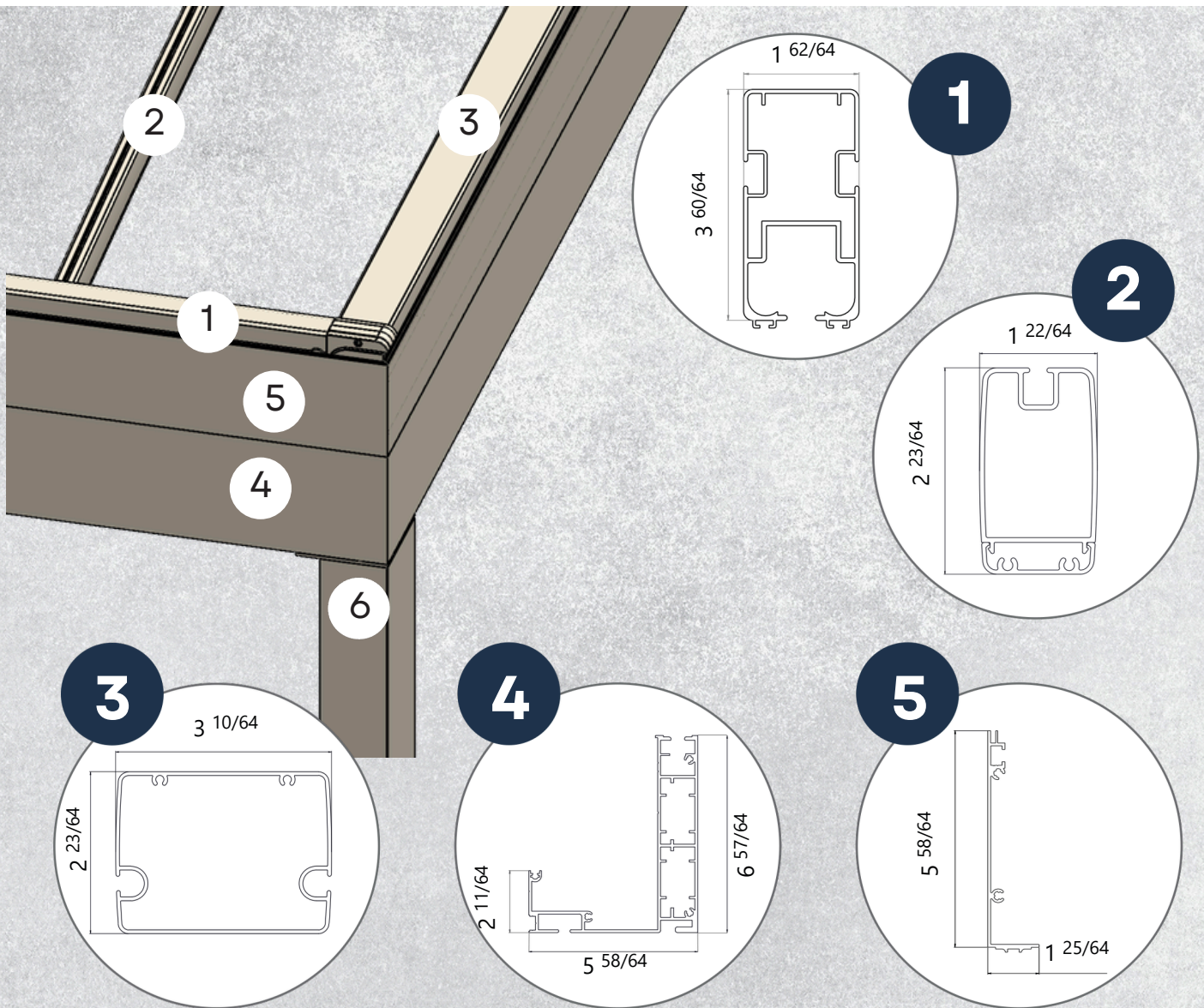


### MINIMUM DIMENSIONS



### MAXIMUM DIMENSIONS



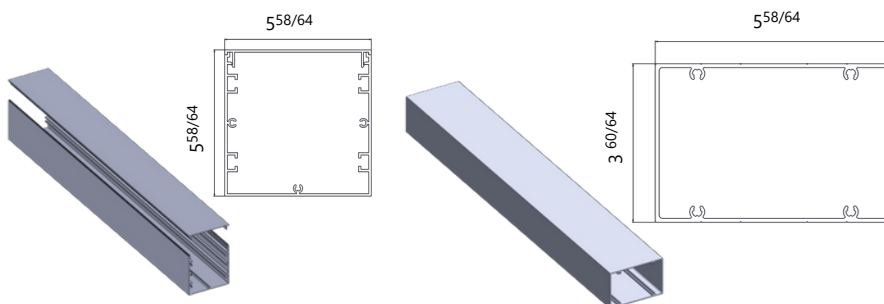


**6**

With PERGOLA FLAT systems **supported by a wall** standard columns  $5 \frac{58}{64}$  in x  $3 \frac{60}{64}$  in may be used.

**Freestanding** PERGOLA FLAT systems require

4 columns |  $5 \frac{58}{64}$  in x  $5 \frac{58}{64}$  in  
**with internal hidden reinforcement and concealing all screws.**



Annual service is mandatory.



# CURVED PERGOLA



WIND  
CLASS 5  
CE



recycle code:  
14987



ISO 9001:2015



ISO 14001:2015



ISO 45001:2018



## GENERAL CHARACTERISTICS

Our **CURVED PERGOLA** awning is engineered to provide coverage for expansive areas without the need for tilting.

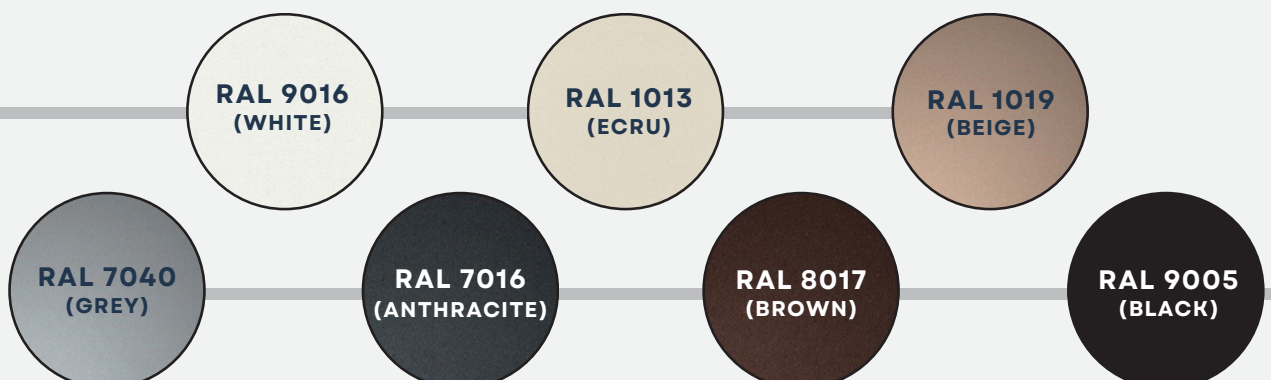
Additional beams and aluminum bars are installed at the top of the pergola to support the guides which are **designed with a curve** that facilitates the drainage of rainwater into the two gutters positioned at the front and rear.

It can be installed with peripheral support as a **freestanding structure** (optional) **or affixed to a wall** on one side, allowing an inclination.

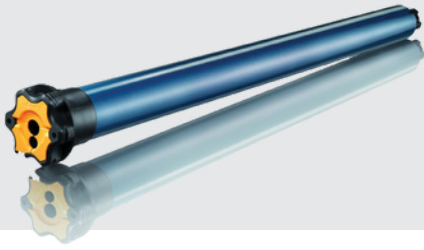
The curvature radius is pre-manufactured, but can be **customized** to any desired radius upon special request.

## RAL COLORS

AT NO ADDITIONAL COST



# ELECTRICAL OPERATION



The system operates with a **Somfy iO** wireless tubular motor offering torque options of 85Nm or 120Nm, which can be conveniently managed with a smartphone or computer.

Two lighting options are available for the covered area:

- STA spotlights** | ON/OFF switch
- LUX spotlights** | dimmer function

The spotlights, mounted on the intermediate beams are available in three light temperatures:

*warm (3000K) | cool (6000K) | daylight (4000K)*

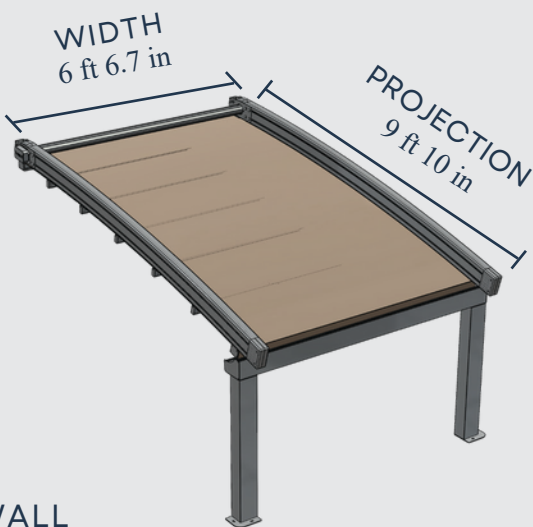
**i** **LUX spotlights** are available with **RGB**

# LIGHTING



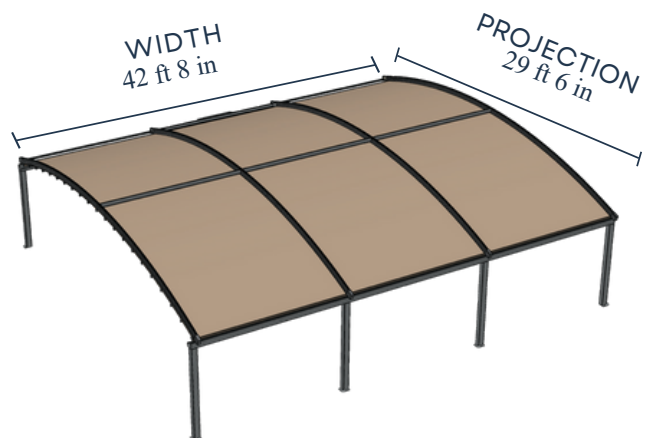
# TECHNICAL SPECIFICATIONS

## MINIMUM DIMENSIONS



WALL MOUNTED

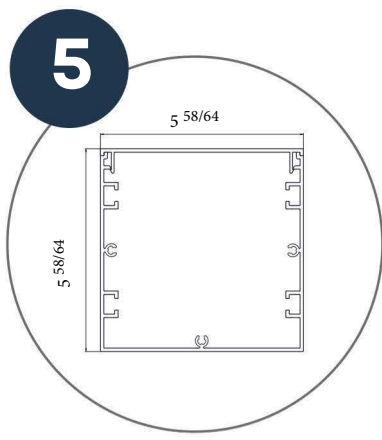
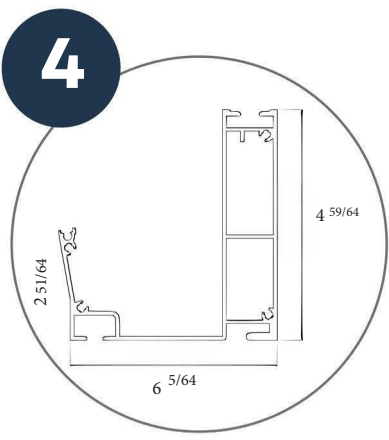
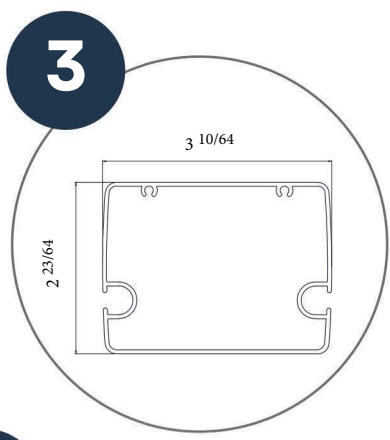
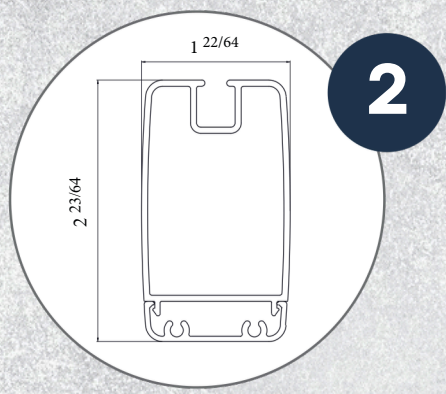
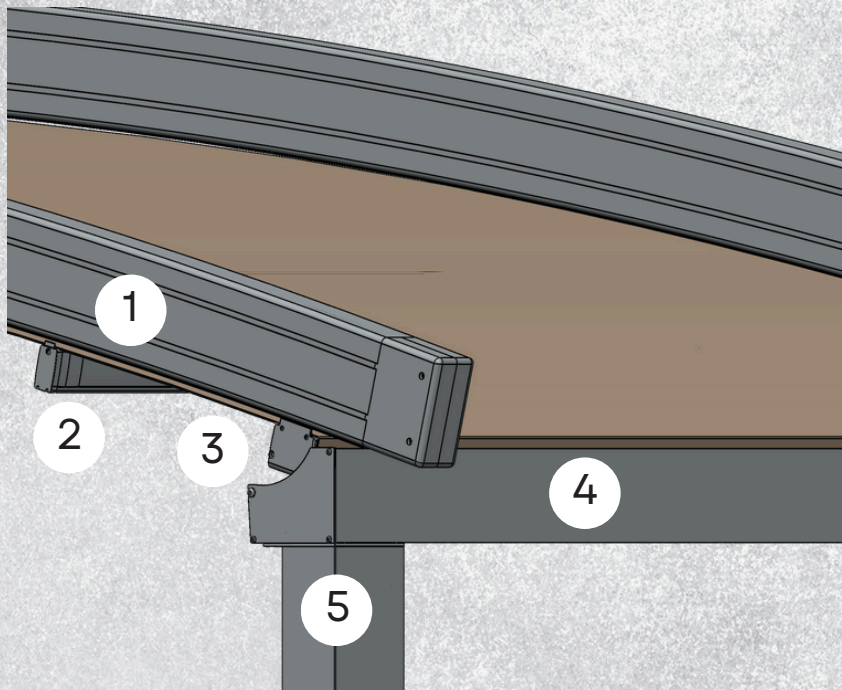
## MAXIMUM DIMENSIONS



FREESTANDING



# TECHNICAL SPECIFICATIONS



**1** With **standard CURVED PERGOLA systems**, guide sizes depend on the projection:

STANDARD	up to 21 ft 4 in	5 <sup>29</sup> / <sub>32</sub> in x 2 <sup>3</sup> / <sub>4</sub> in
EXTENDED	up to 29 ft 6 in	5 <sup>29</sup> / <sub>32</sub> in x 4 <sup>21</sup> / <sub>64</sub> in

With **customized systems** a **4 <sup>23</sup>/<sub>32</sub> x 2 <sup>23</sup>/<sub>64</sub> in guide** is used allowing a projection of **up to 18 ft**



Annual service is mandatory.



# BIOCLIMATIC PERGOLA LAMDA

BIOCLIMATIC  
PERGOLAS



WIND  
CLASS 5  
CE



ISO 9001:2015



ISO 14001:2015



ISO 45001:2018



## GENERAL CHARACTERISTICS

The **bioclimatic pergola LAMDA** is designed with a zero-degree inclination, allowing the aluminum blinds to rotate from 0° to 120°. This configuration facilitates **optimal control** of sunlight while **ensuring a continuous flow of fresh air**.

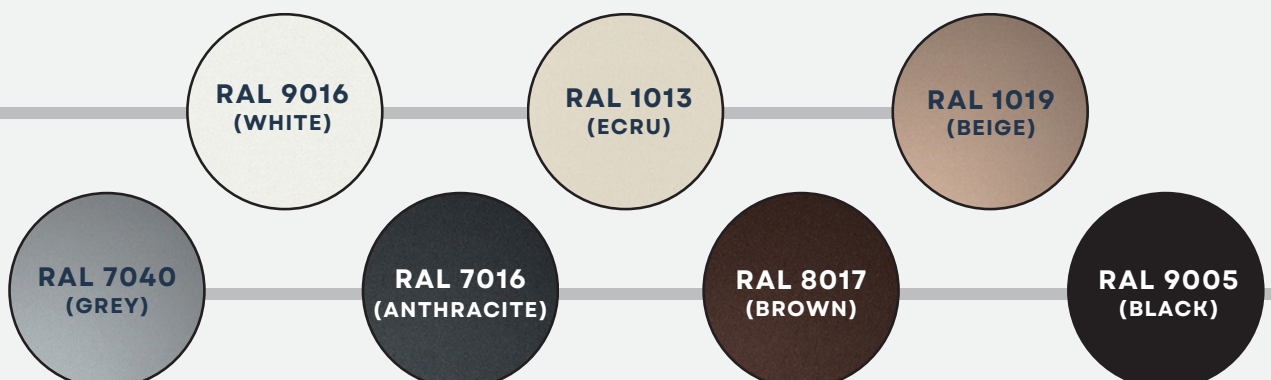
The blinds can be **adjusted in accordance with the sun's position**, maintaining shade in the space under and are closed only in the event of rain.

The competitive advantage of the **bioclimatic pergola LAMDA** lies in its construction featuring a **projection of up to 20 meters within a single pergola** with perimeter gutters and columns positioned every 5 meters.

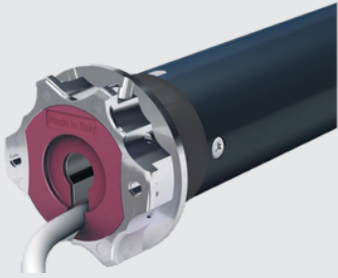
**i** The pergola is deemed waterproof under normal rainfall conditions, up to 6mm/h, provided there are at least four drainage points. Watertightness may be compromised during heavy rain, crosswinds, or if the drains are not properly maintained.

## RAL COLORS

AT NO ADDITIONAL COST



# ELECTRICAL OPERATION



Our **LAMDA bioclimatic pergola** is operated by a **concealed** tubular motor within the louver.


This design guarantees **faster movement** (3r/min) with **enhanced precision** and provides **complete protection** for the motor against adverse weather conditions.

BIOCLIMATIC  
PERGOLAS

The **LAMDA** bioclimatic pergola features **ambient lighting** along its perimeter

The LED lights are available in three different temperatures:

*warm (3000K) | cool (6000K) | daylight (4000K)*

 ON/OFF and DIMMER operation  
RGB available

# LIGHTING

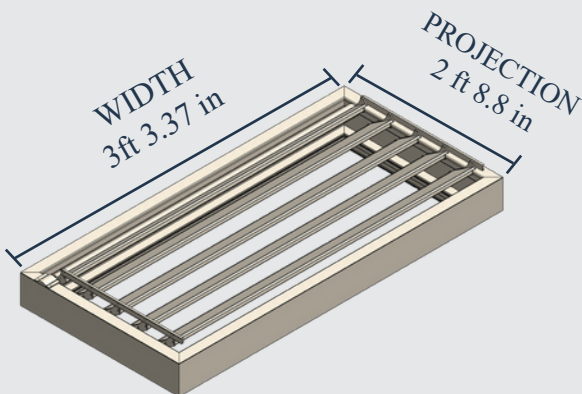


# TECHNICAL SPECIFICATIONS

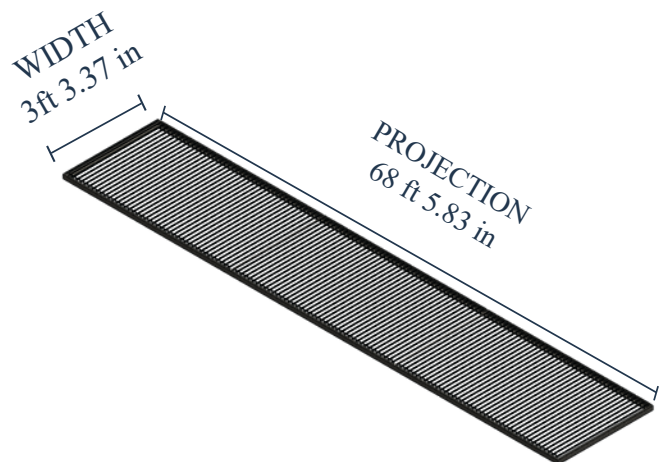
Installation manual available

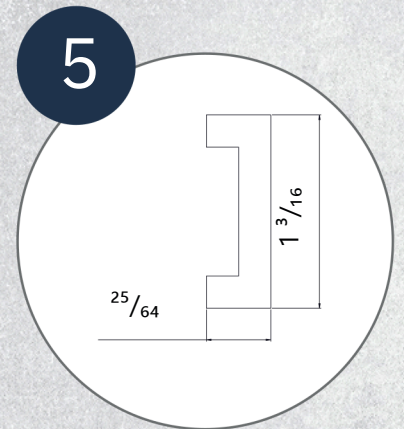
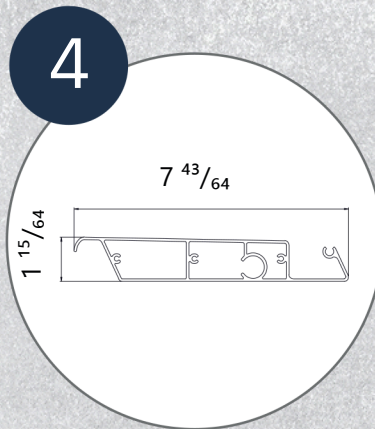
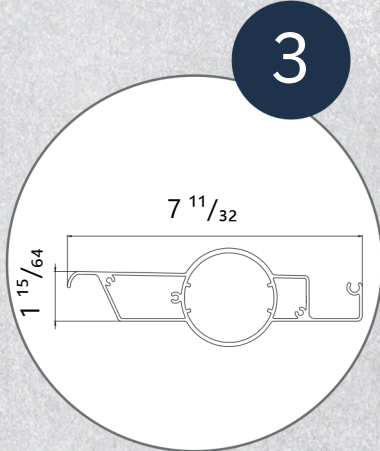
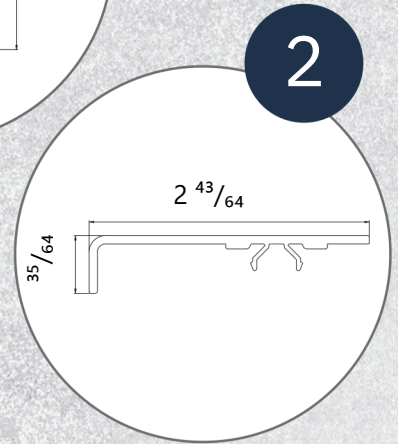
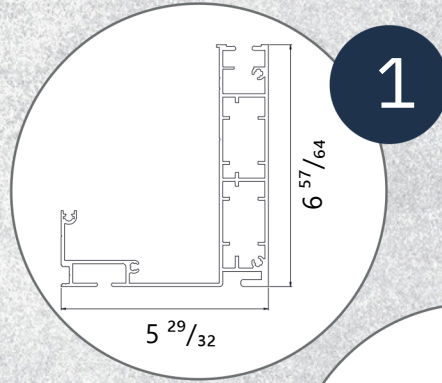
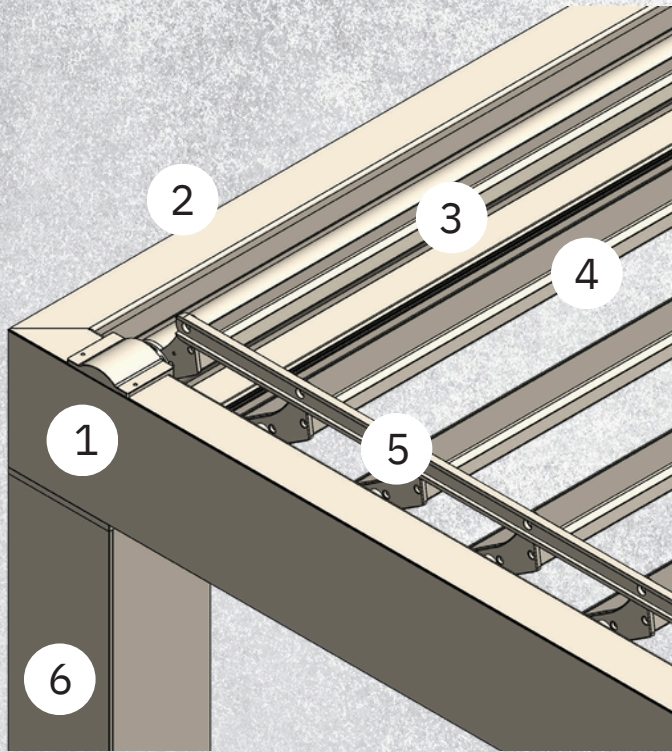


## MINIMUM DIMENSIONS



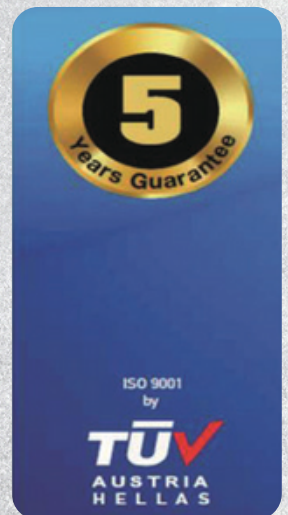
## MAXIMUM DIMENSIONS





**6** or systems **supported by a wall**, standard columns  $3 \frac{15}{16}$  in x  $5 \frac{29}{32}$  in **for maximum every 16.4 ft** may be used.

**Freestanding** systems require  
Columns  $5 \frac{29}{32}$   
**for max. every 16 ft 4.8 in of the system**



Annual service is mandatory.



# OPEN ROOF

## RETRACTABLE BIOCLIMATIC PERGOLA WITH A 5% SLOPE

BIOCLIMATIC  
PERGOLAS



ISO 9001:2015



ISO 14001:2015



ISO 45001:2018



## GENERAL CHARACTERISTICS

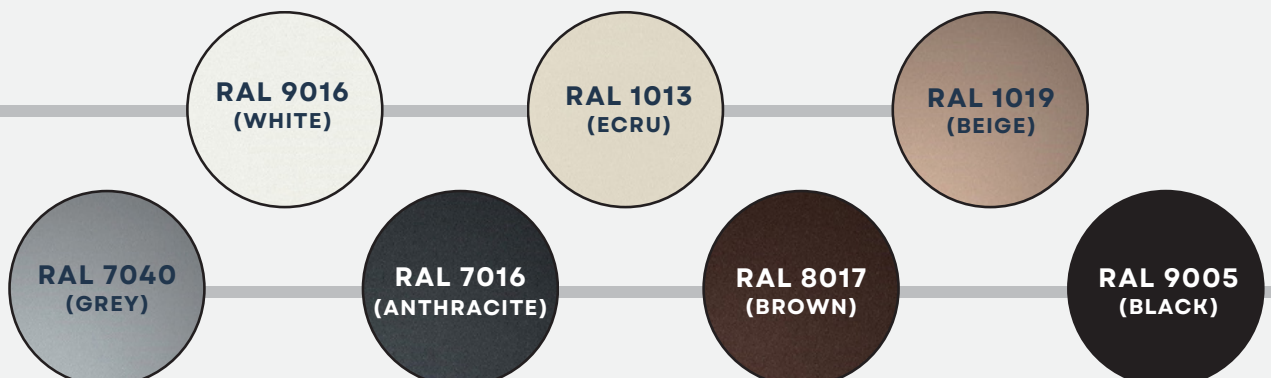
The **OPEN ROOF** is our **fully retractable** bioclimatic aluminum pergola offering the possibility to wirelessly control the variable adjustable roof opening.

The operation is facilitated by 2 or 3 substantial guides with belts and cross fittings that connect the blinds and the expansive gutter at the front comprises 2 profiles to prevent any potential water overflow.

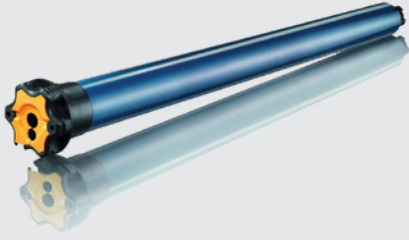
**i** A slope of min 5% is required to ensure that rainwater collects in the front-mounted gutter. The pergola is deemed waterproof under normal rainfall conditions, up to 10mm/h.

## RAL COLORS

AT NO ADDITIONAL COST



# ELECTRICAL OPERATION



The system operates with a **Somfy iO** wireless tubular motor housed within an aluminum toothed shaft offering torque options of 85Nm or 120Nm, which can be conveniently managed with a smartphone or computer.

Up to four **ambient lighting LED strips** can be mounted along the perimeter

The LED lights are available in three different temperatures:

*warm (3000K) | cool (6000K) | daylight (4000K)*

**i** ON/OFF and DIMMER operation  
RGB available

# LIGHTING

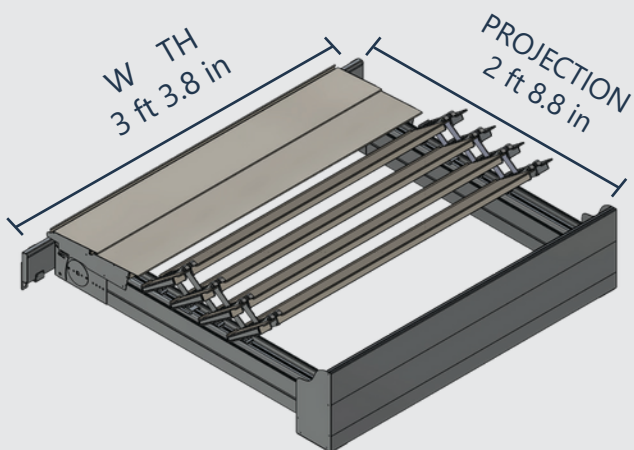


# TECHNICAL SPECIFICATIONS

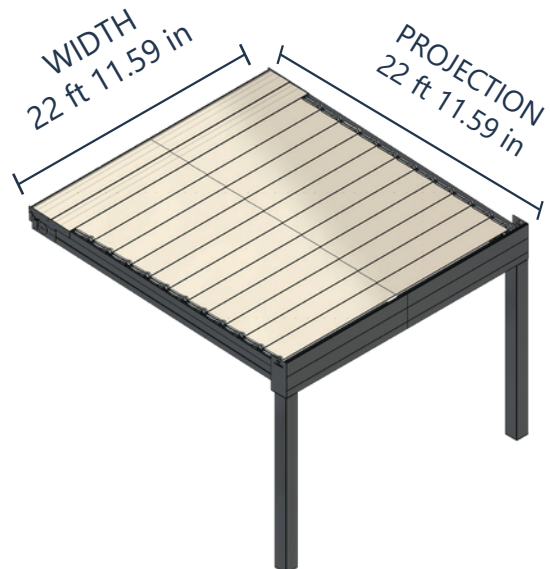
Installation manual available

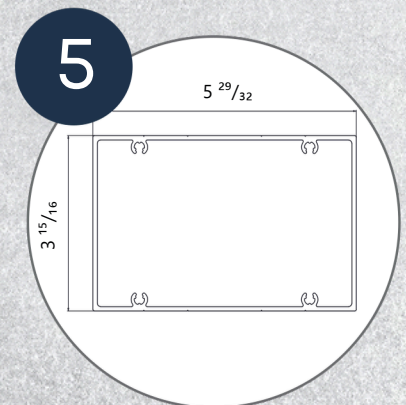
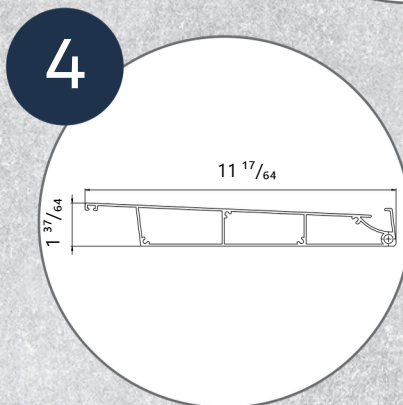
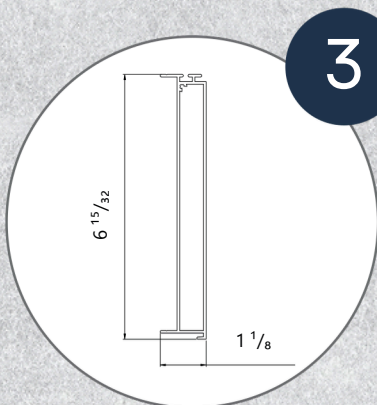
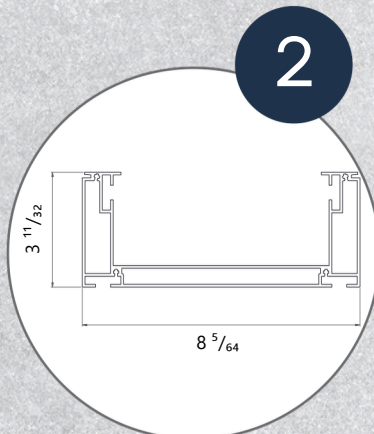
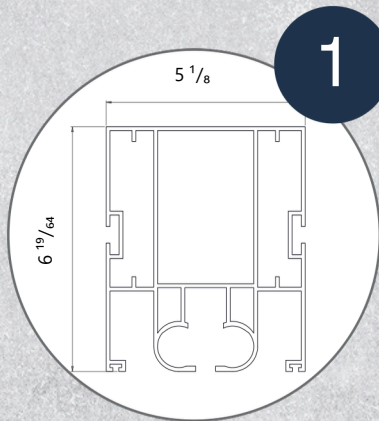
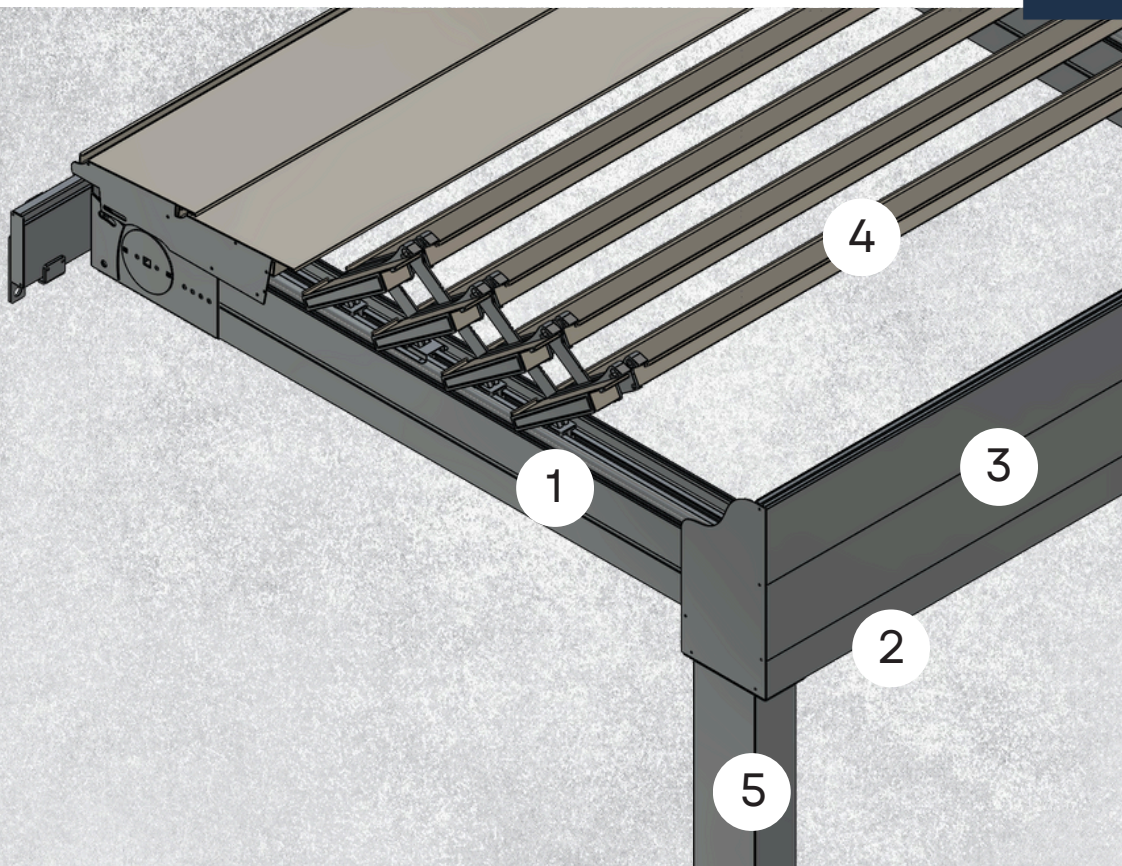


## MINIMUM DIMENSIONS



## MAXIMUM DIMENSIONS





Annual service is mandatory.



# OPEN SKY

## RETRACTABLE BIOCLIMATIC PERGOLA FLAT

BIOCLIMATIC  
PERGOLAS



✓ ISO 9001:2015

✓ ISO 14001:2015

✓ ISO 45001:2018



## GENERAL CHARACTERISTICS

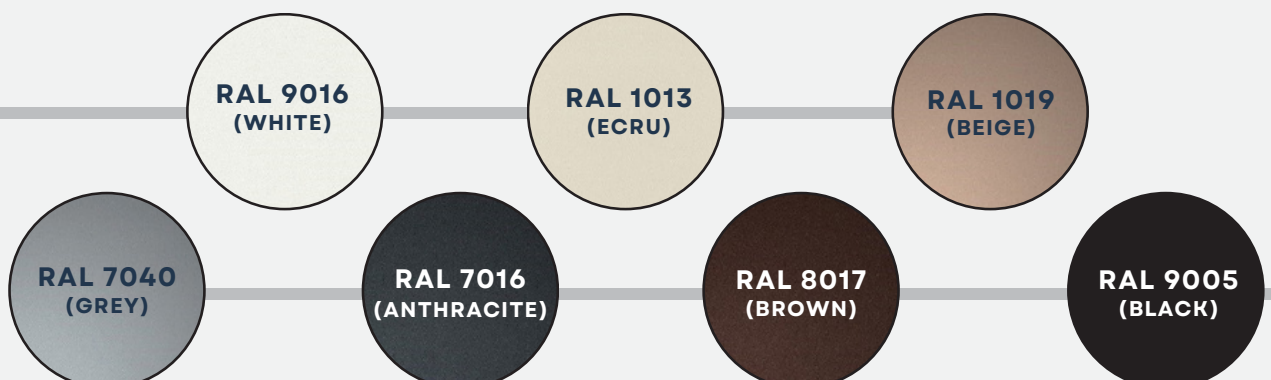
Our **fully retractable** bioclimatic aluminum pergola **OPEN SKY** is engineered to function with a **zero-degree inclination** and with **integrated water gutters** around the perimeter to channel rainwater into the columns.

**i** The pergola is deemed waterproof under normal rainfall conditions, up to 8mm/h, as issues may arise if the water drainage channels are not maintained. Precise alignment is essential during installation, and the guides must be meticulously parallel.

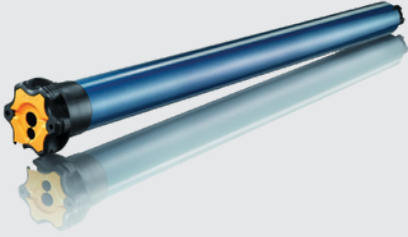
The **wireless operation** is facilitated by 2 guides with belts and cross fittings that connect the blinds which allow a variable roof opening.

## RAL COLORS

AT NO ADDITIONAL COST



## ELECTRICAL OPERATION




The system operates with a **Somfy iO** wireless tubular motor housed within an aluminum toothed shaft offering torque options of 85Nm or 120Nm, which can be conveniently managed with a smartphone or computer.

Up to four **ambient lighting LED strips** can be mounted along the perimeter

The LED lights are available in three different temperatures:

*warm (3000K) | cool (6000K) | daylight (4000K)*

 ON/OFF and DIMMER operation  
RGB available

## LIGHTING

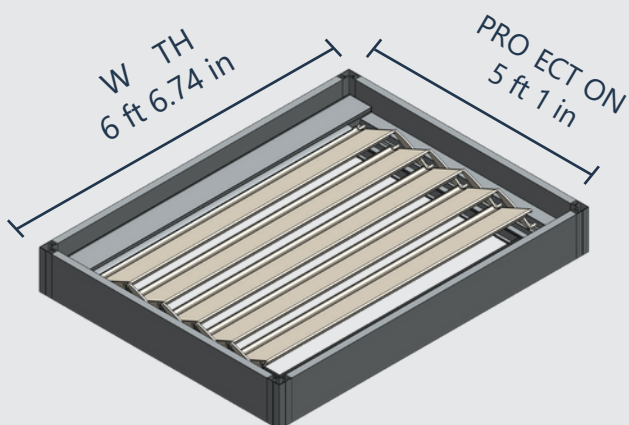


## TECHNICAL SPECIFICATIONS

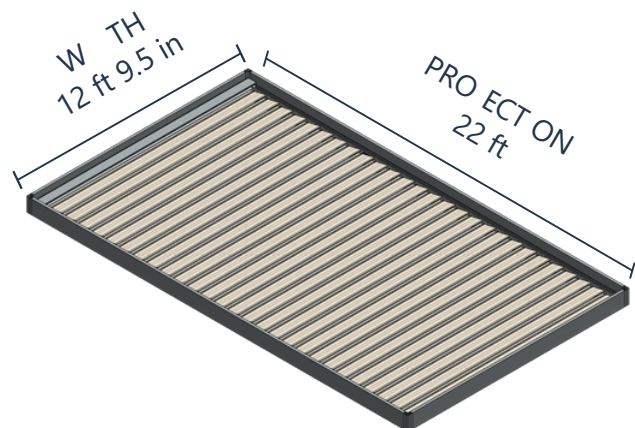
Installation manual available

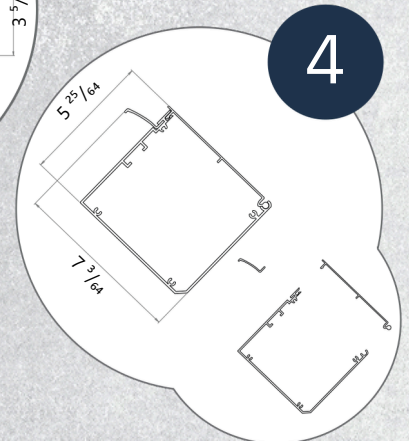
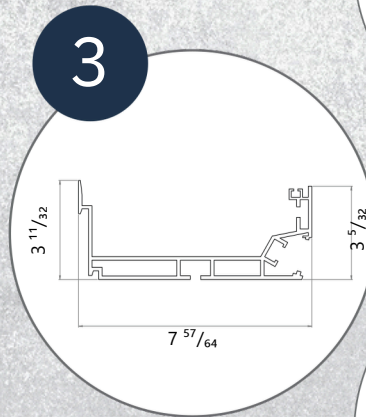
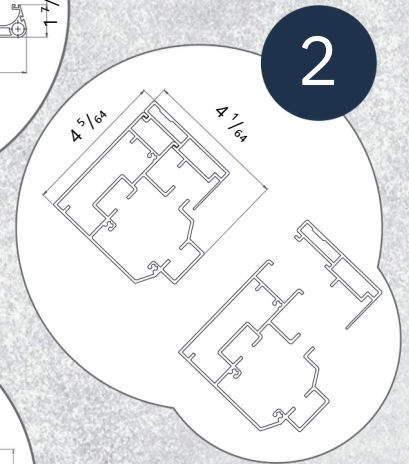
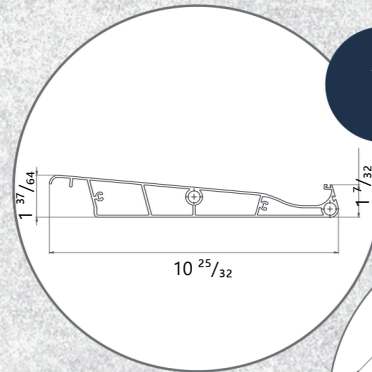
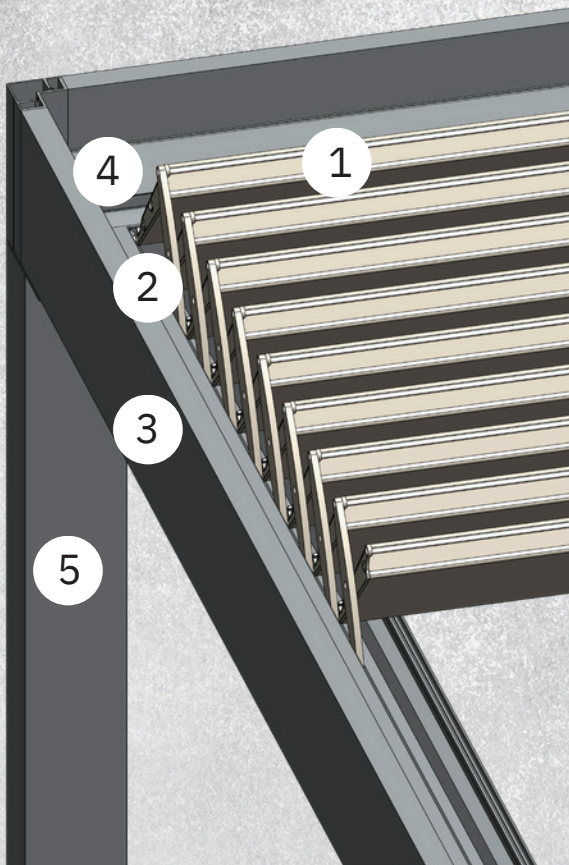


### MINIMUM DIMENSIONS



### MAXIMUM DIMENSIONS

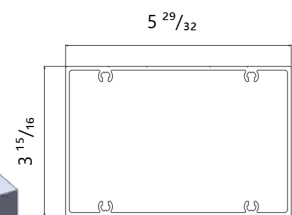
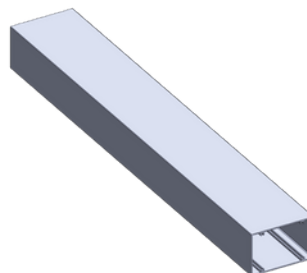
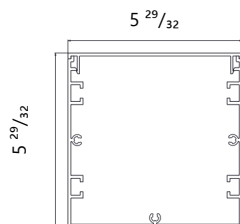
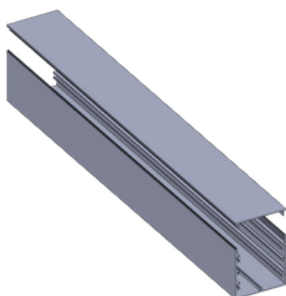




## 5

With OPEN SKY systems **supported by a wall** at least on one side, standard columns 150 x 100mm may be used.

**Freestanding** OPEN SKY systems require at least 4 columns  $5 \frac{29}{32} \times 5 \frac{29}{32}$  in with internal hidden reinforcement and concealing all screws.



Annual service is mandatory.



# FOLDING ARMS

## RETRACTABLE AWNINGS

FOLDING  
ARMS



WIND  
CLASS 2  
CE



ISO 9001:2015

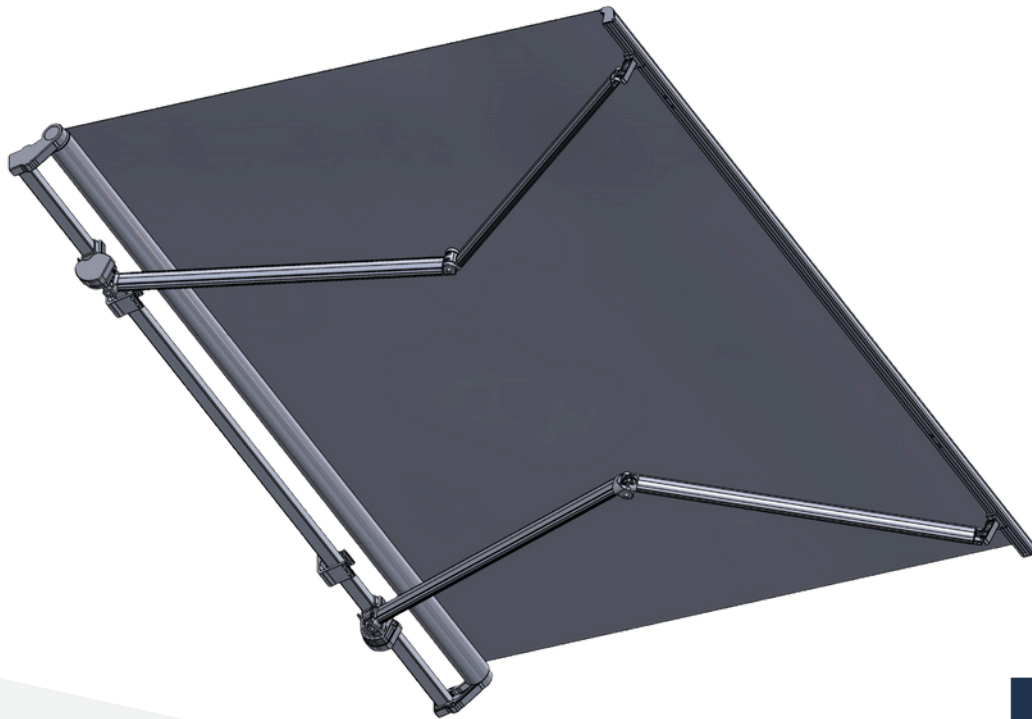


ISO 14001:2015



ISO 45001:2018





## GENERAL CHARACTERISTICS

Retractable awnings with folding arms are the most prevalent shading system. Our folding arms systems are **produced in-house** arms and **tailored for every application and dimension**, ranging from 1.60m to 6.00m.

## FOLDING ARMS

WHITE COLOR AT NO ADDITIONAL COST

**OVAL** for balconies

projection up to 3 ft 3.37 in

**PRESTIGE** heavy duty

projection up to 9 ft 10.1 in



with two steel ropes

hyper heavy duty

**MAXI**

projection up to 11 ft 5.8 in

**MAXI PLUS**

projection up to 13 ft 1.5 in and slope >45°



with inox steel rope



GIGA

**HERCULES**

projection up to 14 ft 9.2 in

**TWIN HERCULES**

projection up to 19 ft 8.2 in

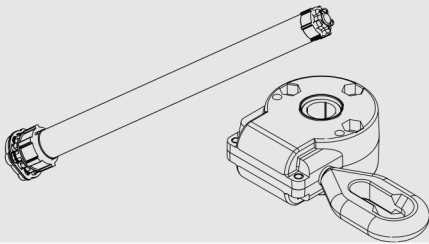


with chains



with chains

## ELECTRICAL OPERATION



Folding arms awnings can be operated either by **electric motors** ranging from 40Nm to 120Nm or through **reducer-mechanisms** with a transmission ratio between 1/11 and 1/17.

Our **MAXI LED folding arms** feature LED strips seamlessly integrated into the profile along their **entire length**

The LED lights are available in three different temperatures:

*warm (3000K) | cool (6000K) | daylight (4000K)*

**i** ON/OFF and DIMMER operation  
RGB available

## LIGHTING

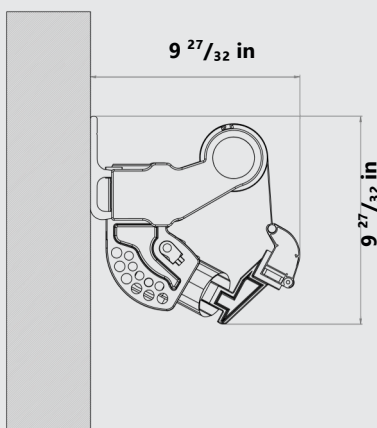


FOLDING ARMS

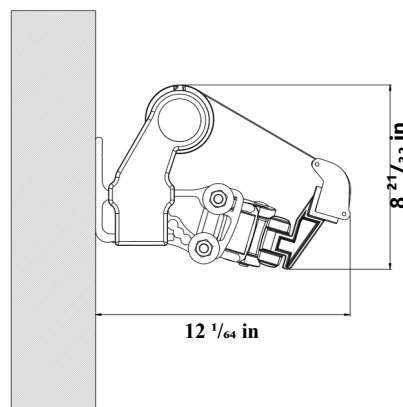
## DIMENSIONS

OF AWNING SYSTEMS WITH FOLDING ARMS

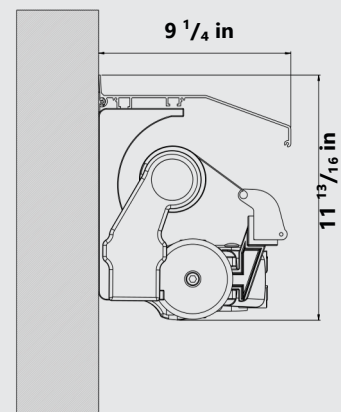
### MONOBLOCK (CASTED)



### MONOBLOCK (PROFILE)



### MONOBLOCK (LUX)





## MONOBLOCK (CASTED)

**OVAL** | 5ft 3 in - 8 ft 2.42 in  
**PRESTIGE** | 5 ft 10.9 in - 9 ft 10.1 in  
**MAXI** | 5 ft 10.9 in - 11 ft 5.8 in

**CASTED**



## MONOBLOCK (PROFILE)

**PRESTIGE** | 5 ft 10.9 in - 9 ft 10.11 in  
**MAXI** | 5 ft 10.9 in - 11 ft 5.8 in

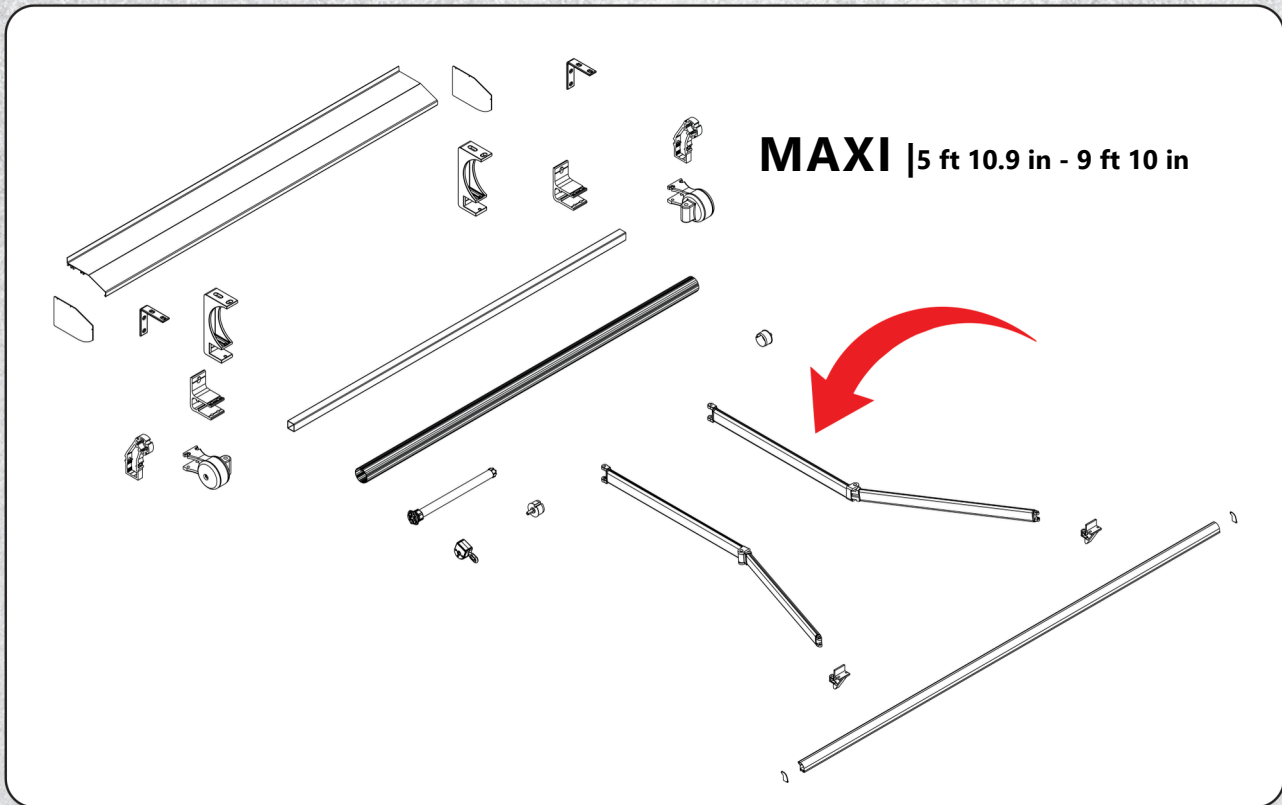
**PROFILE**



**LAMDA**  
SHADING SYSTEMS MANUFACTURER



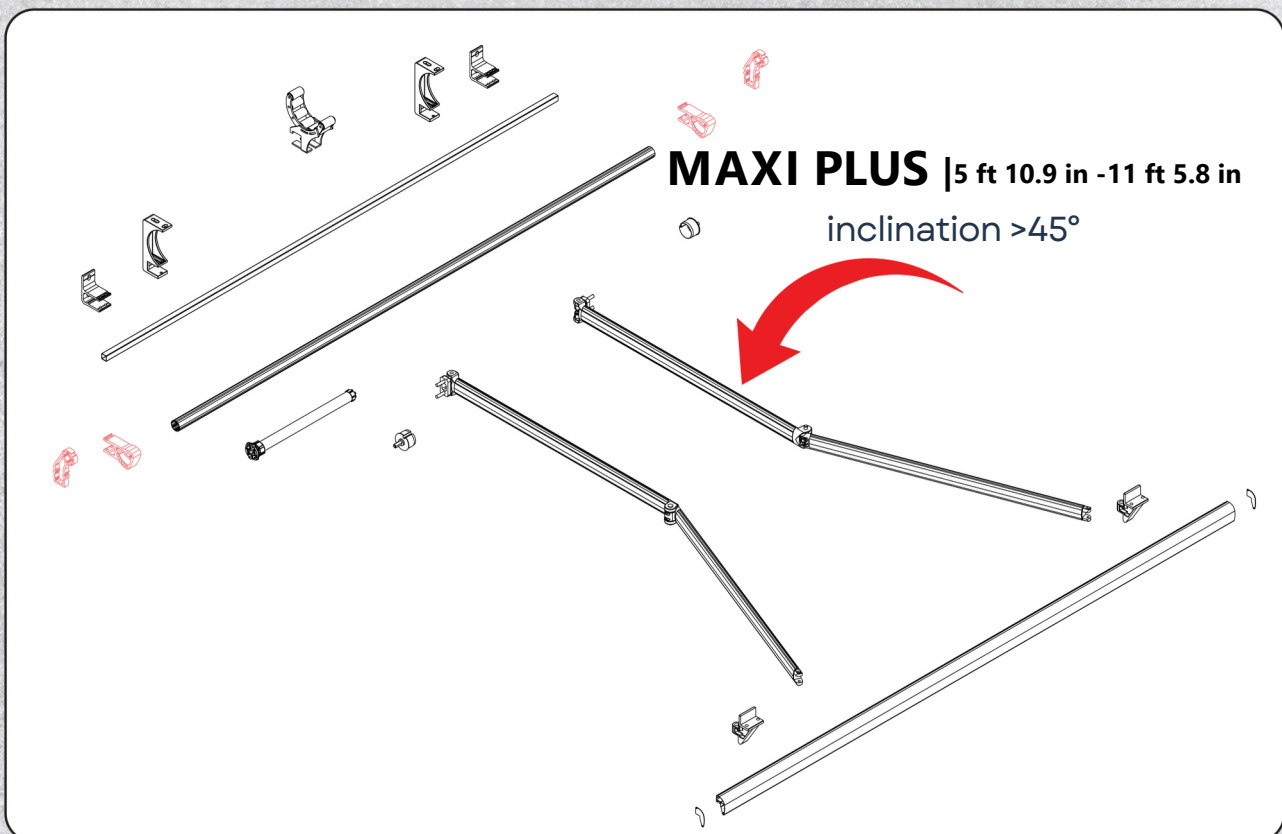
## MONOBLOCK (LUX)



FOLDING  
ARMS



## MONOBLOCK (PLUS)

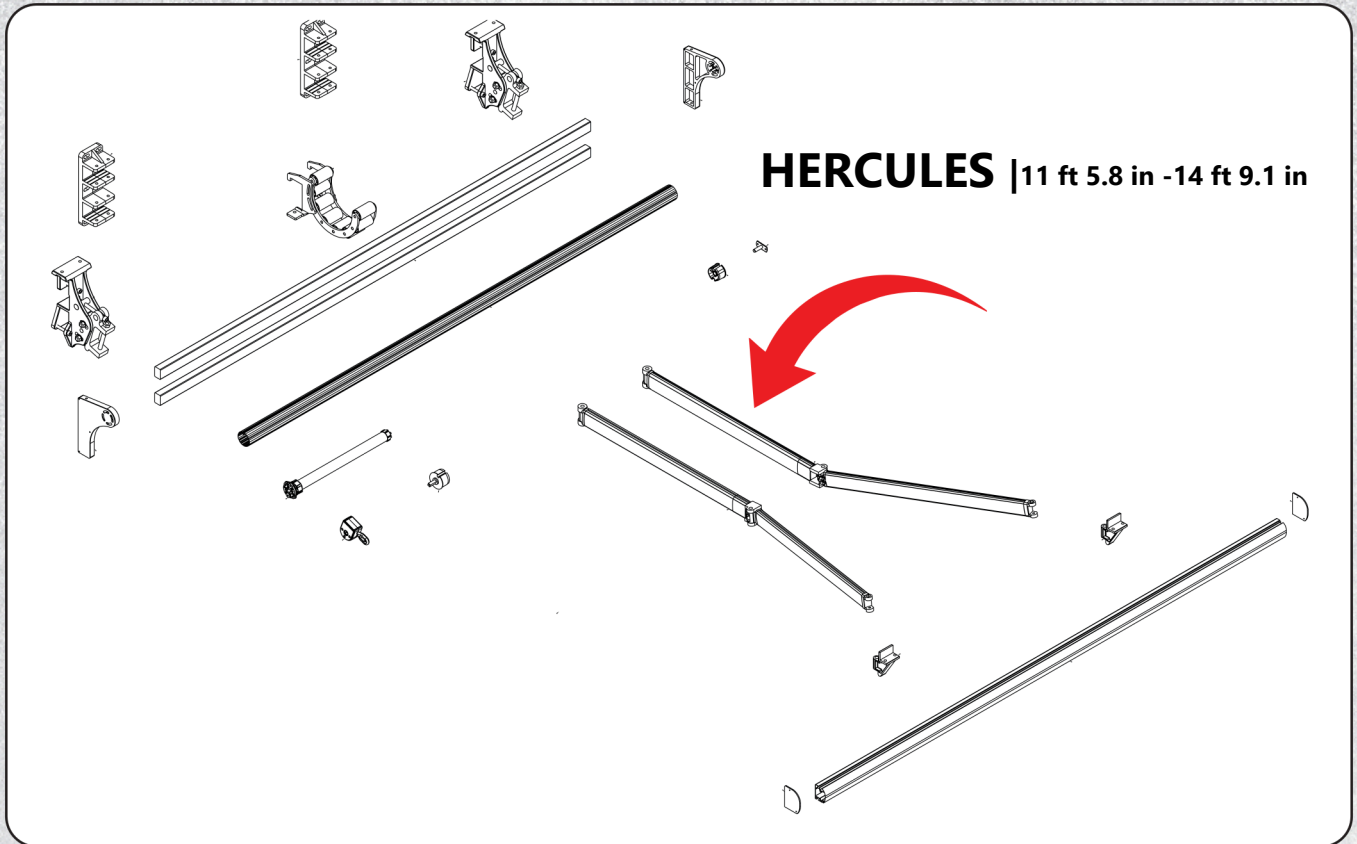




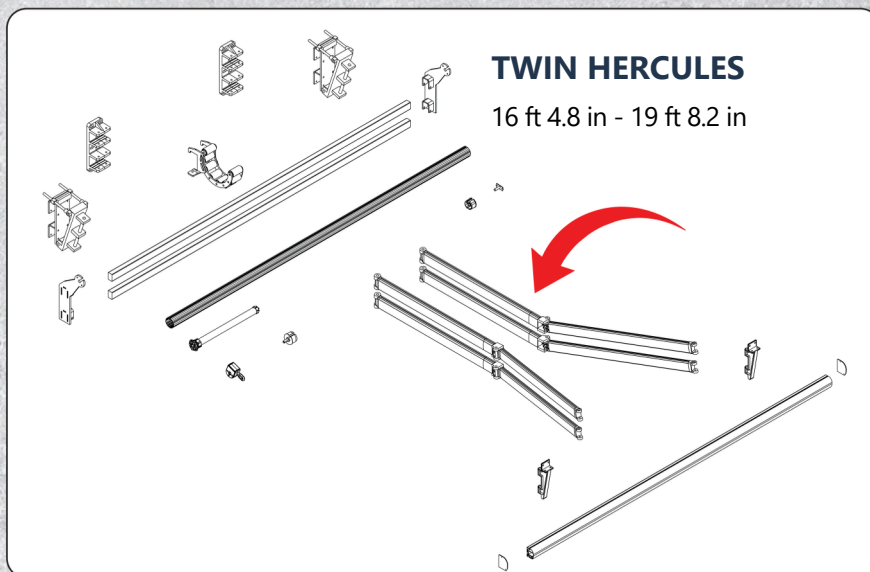
**LAMDA**  
SHADING SYSTEMS MANUFACTURER



# FOLDING ARMS (GIGA)

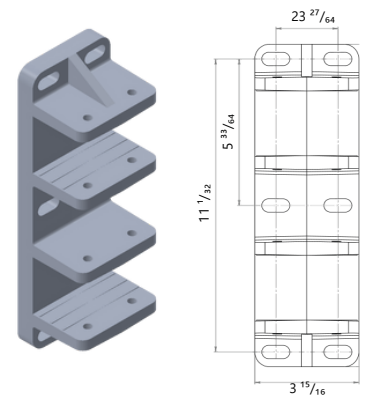


# FOLDING ARMS (GIGA TWINS)



**BASE WALL MOUNT DIMENSIONS** 60 X 40mm

## HERCULES





# LOGGIA

## COMPACT AWNING (up to 5m)

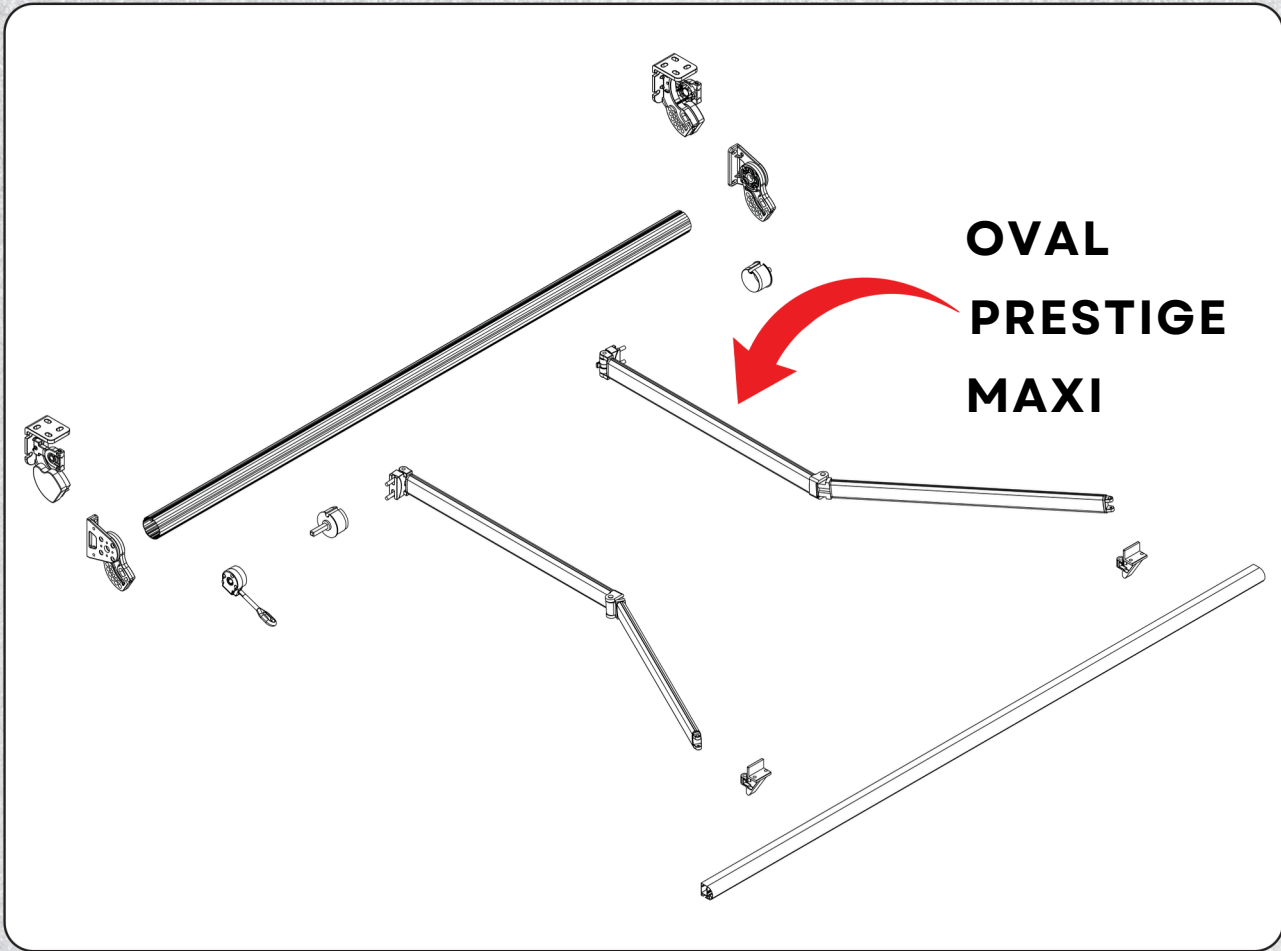


# LAMDA

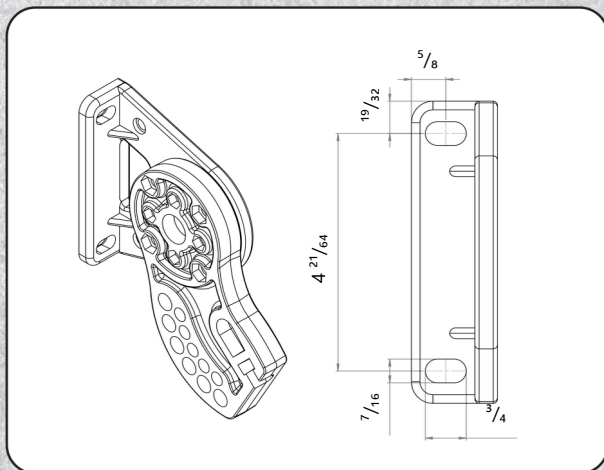
SHADING SYSTEMS MANUFACTURER

**OVAL  
PRESTIGE  
MAXI**

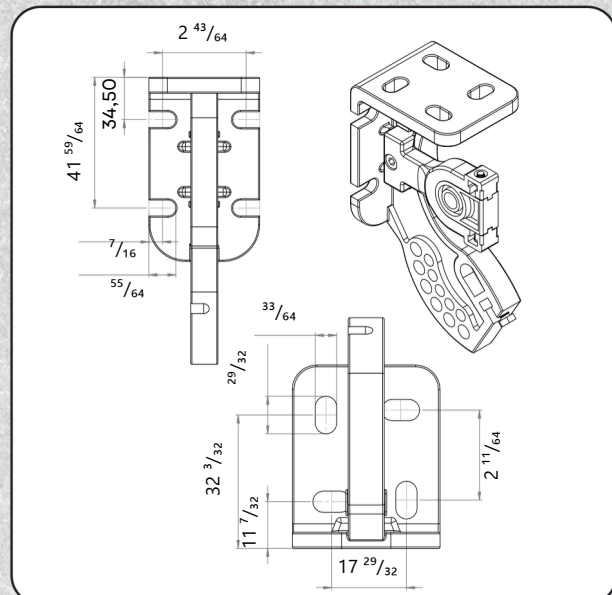
FOLDING  
ARMS



### BASE DIMENSIONS LOGGIA STANDARD

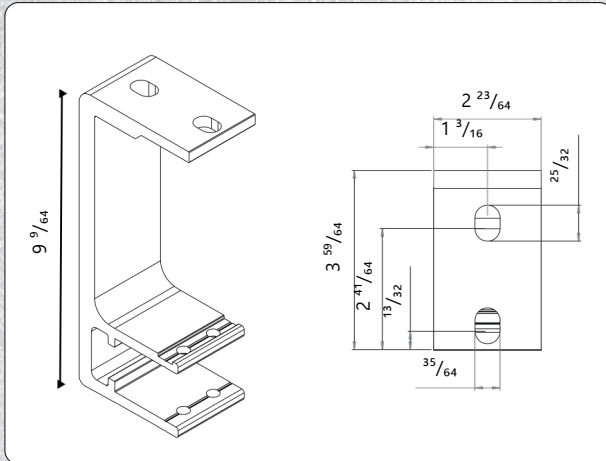


### BASE DIMENSIONS LOGGIA CLASSIC



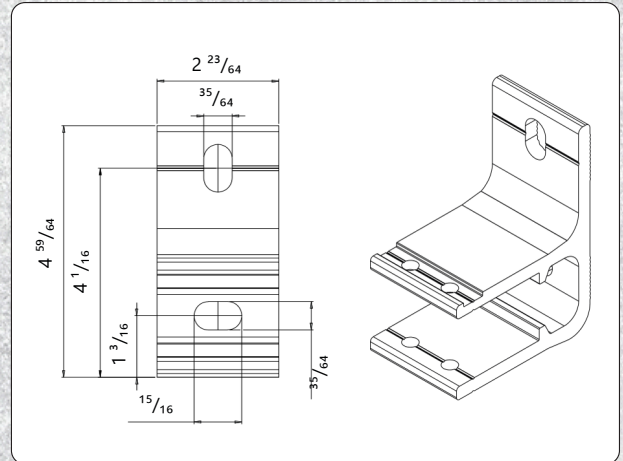
## CEILING SUPPORT BAR

40 x 40 x 2 mm



## WALL SUPPORT BAR


40 x 40 x 2 mm



in ft	MINIMUM WIDTH REQUIREMENT PER FOLDING ARMS SET										
	ARM PROJECTION	5.90	6.56	7.22	8.20	9.84	11.48	13.12	14.76	16.40	18.04
MIN AXIS	6.89	7.87	8.76	9.97	11.12	12.43	14.10	17.32	18.96	19.68	1.49

## FOLDING ARMS MAXI SELF

Our brandnew **FOLDING ARMS MAXI SELF** allow anyone to easily assemble folding arms allowing projections from 5.90 ft up to 9.84 ft by conveniently using just glue and a screwdriver.

 The components are unpainted, allowing them to be painted in any color



# CASSETTE AWNING

## MODEL 530

CASSETTE  
AWNINGS



WIND  
CLASS 1  
CE



recycle code:  
14987



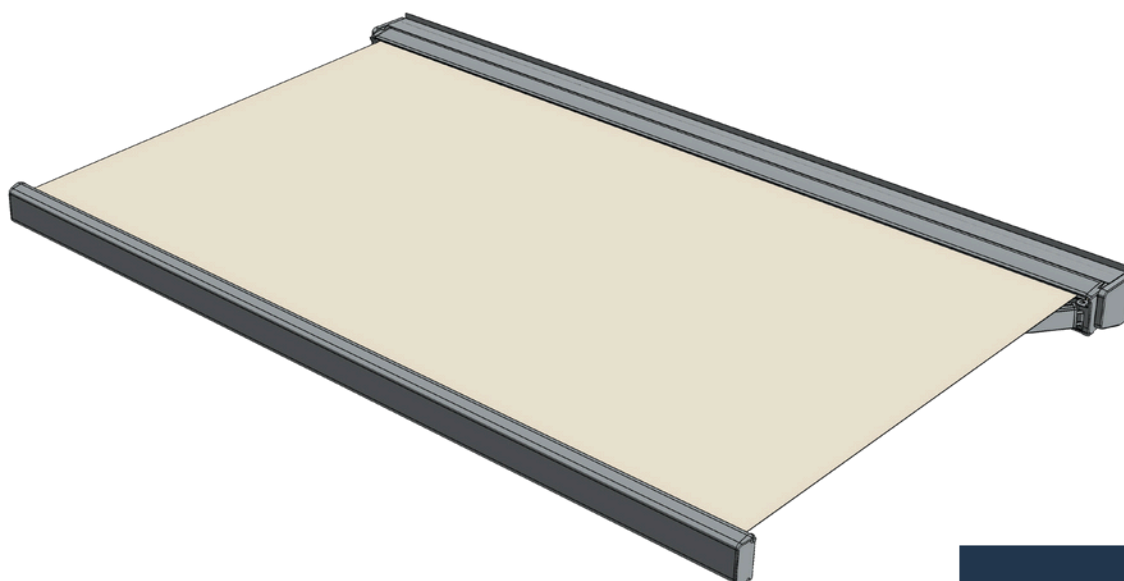
ISO 9001:2015



ISO 14001:2015



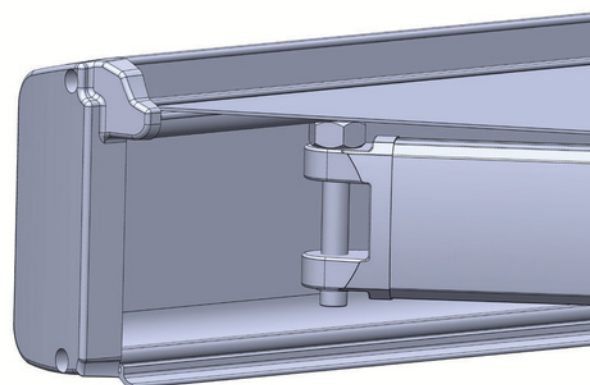
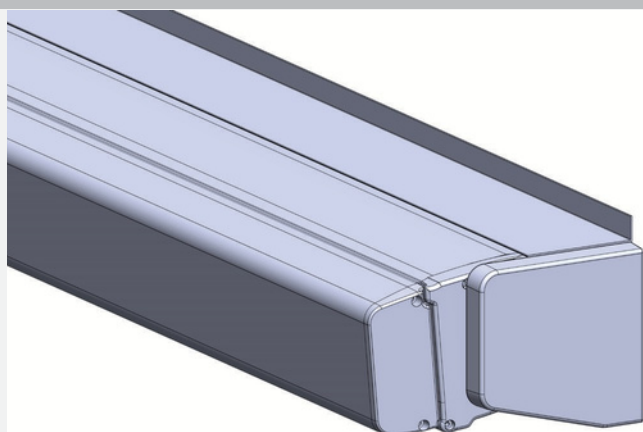
ISO 45001:2018



---

## GENERAL CHARACTERISTICS

Our all-time classic awning **MODEL 530** is the best selling model on the market, providing protection against the elements. Accomodating two Prestige Cassette folding arms (with two wire ropes each) it is **engineered to be secured at both extreme positions**. Wall or ceiling mounts are ideally bolted behind the arm mounts and **complete waterproofing** on the wall is available upon request. We provide both - acrylic and perforated awanings, glued or sewn. Besides our standard white any other RAL color is available upon request.



# ELECTRICAL OPERATION

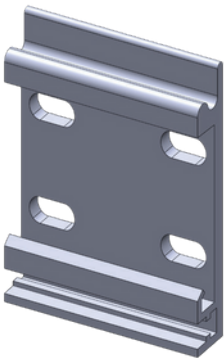


**MODEL 530** can be operated either **manually** or by using an **electric motor**. We offer wired as well as wireless solutions and a remote controlled operation is also possible with **TAHOMA Somfy** equipment which is available upon request.

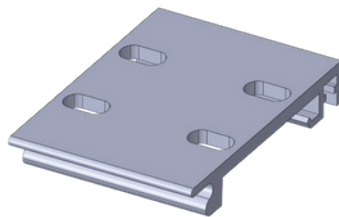


# TECHNICAL SPECIFICATIONS

## WALL BASE MOUNTING

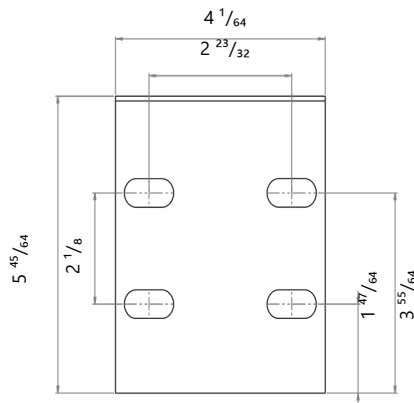


## CEILING BASE MOUNTING

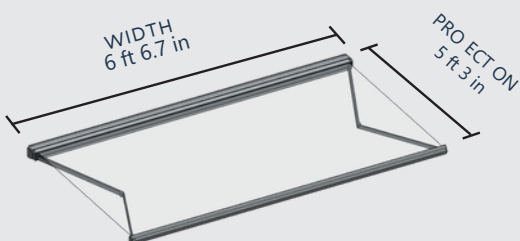


CASSETTE  
AWNINGS

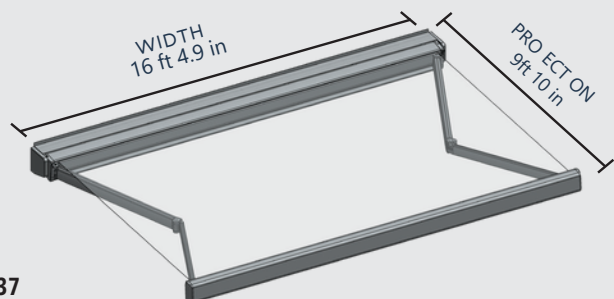
## BASE MOUNT DIMENSIONS



## MINIMUM DIMENSIONS

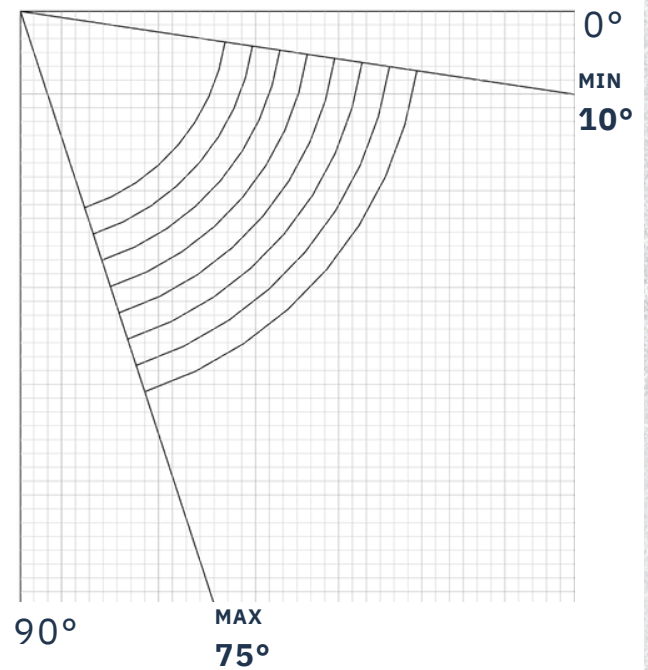
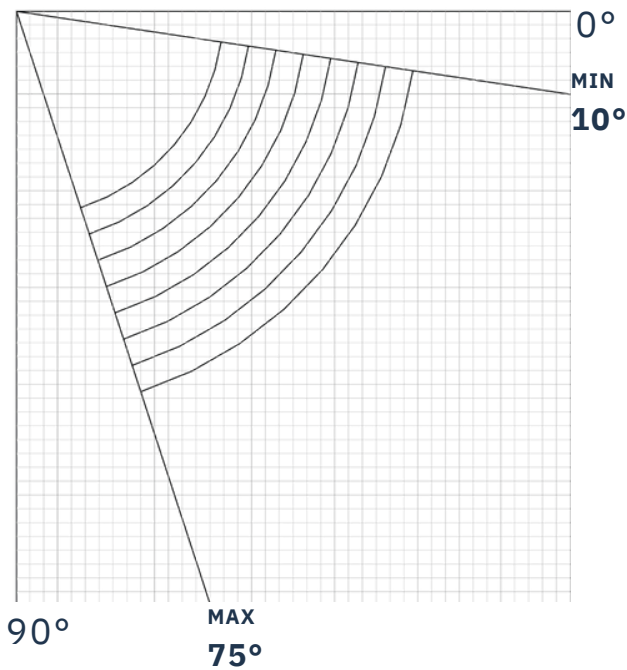


## MAXIMUM DIMENSIONS

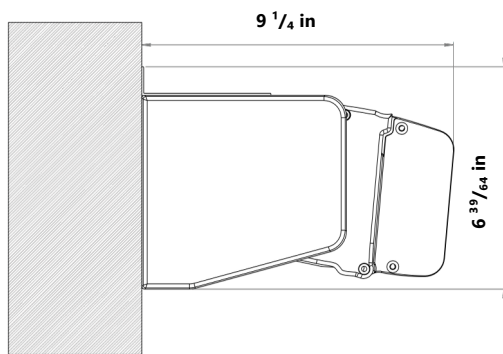




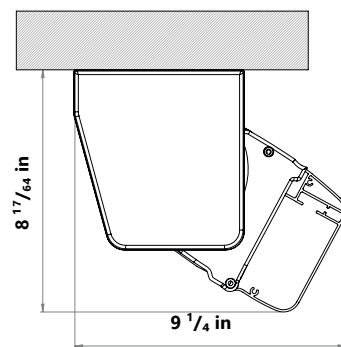
## SLOPE DIAGRAM



**DIMENSIONS CLOSED CASSETTE**  
wall mount



**DIMENSIONS CLOSED CASSETTE**  
ceiling mount



in ft	MINIMUM WIDTH REQUIREMENT PER FOLDING ARMS SET					
<b>ARM PROJECTION</b>	5.91	6.56	7.21	8.20	9.02	9.84
<b>MIN TUBE</b>	6.82	7.74	8.60	9.84	10.50	11.42





# CASSETTE AWNING

## MODEL 732



WIND  
CLASS 2  
CE



recycle code:  
14987



ISO 9001:2015



ISO 14001:2015



ISO 45001:2018

CASSETTE  
AWNINGS

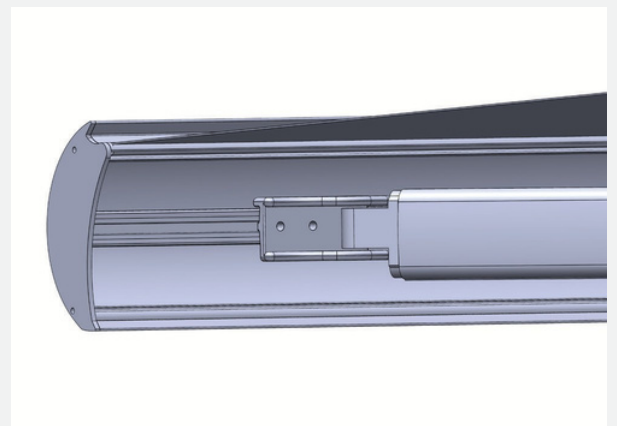
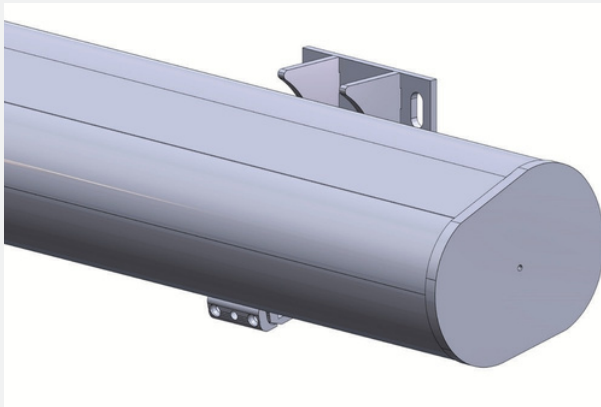


---

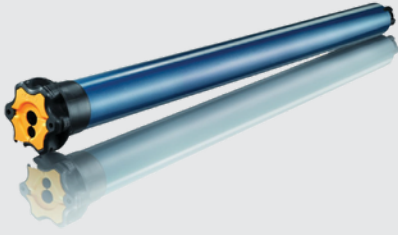
## GENERAL CHARACTERISTICS

Our cassette awning **MODEL 732** is supporting 2, 3, or even 4 Prestige Cassette folding arms (with two wire ropes each) and is therefore **engineered to accommodate large dimensions**. Wall or ceiling mounts are ideally bolted behind the arm mounts. This design effectively shields the awning from adverse weather conditions.

All acrylic awnings utilized are **heat-sealed** to prevent water infiltration through the seams. Besides our standard white any other RAL color is available upon request.




# ELECTRICAL OPERATION



**MODEL 732** can be only operated using an **electric motor**. We offer wired as well as wireless solutions **by Somfy** and a remote controlled operation is also possible with **TAHOMA Somfy** equipment which is available upon request.

With our **MAXI LED folding arms** that feature LED strips seamlessly integrated into the profile along their entire length, **the MODEL 732** may be ambiently enlightened.

The LED lights are available in three different temperatures: *warm (3000K) | cool (6000K) | daylight (4000K)*

 ON/OFF and DIMMER operation  
RGB available

# LIGHTING



# TECHNICAL SPECIFICATIONS

## WALL BASE MOUNTING

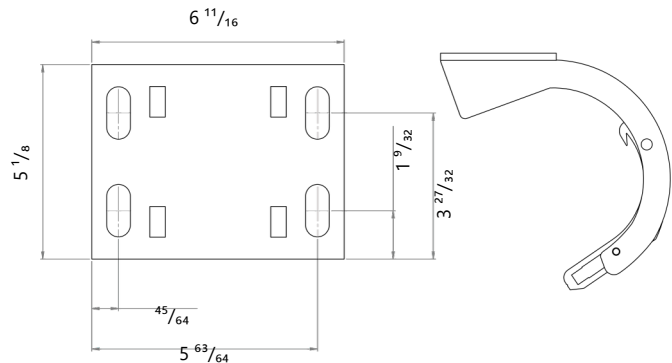
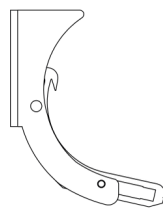


## CEILING BASE MOUNTING

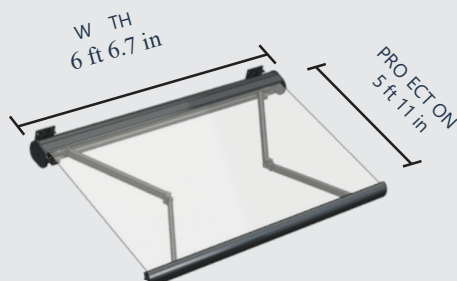


CASSETTE  
AWNINGS

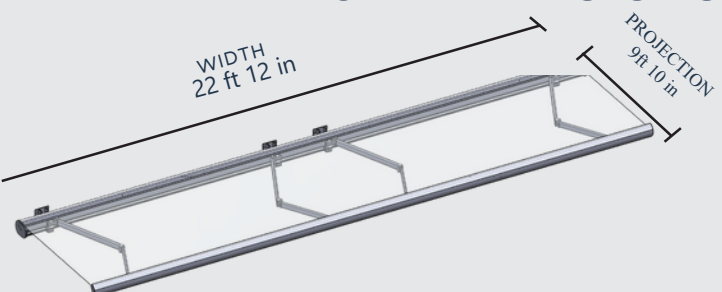
## BASE MOUNT DIMENSIONS



## MINIMUM DIMENSIONS

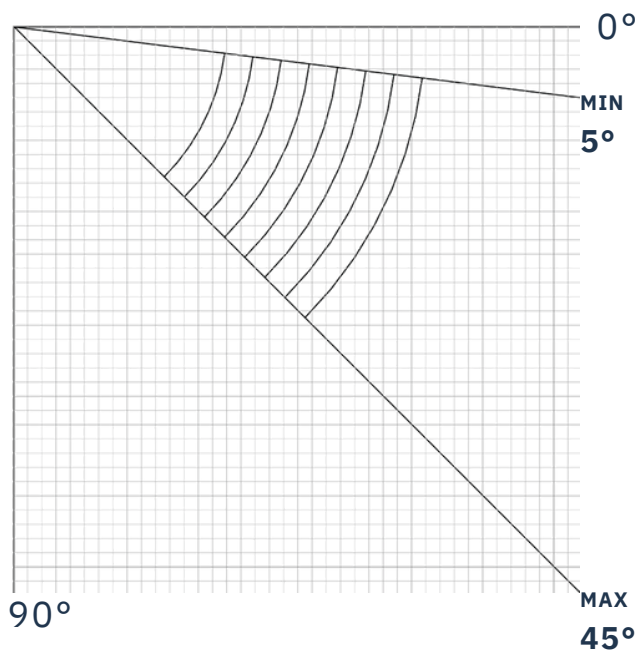


## MAXIMUM DIMENSIONS

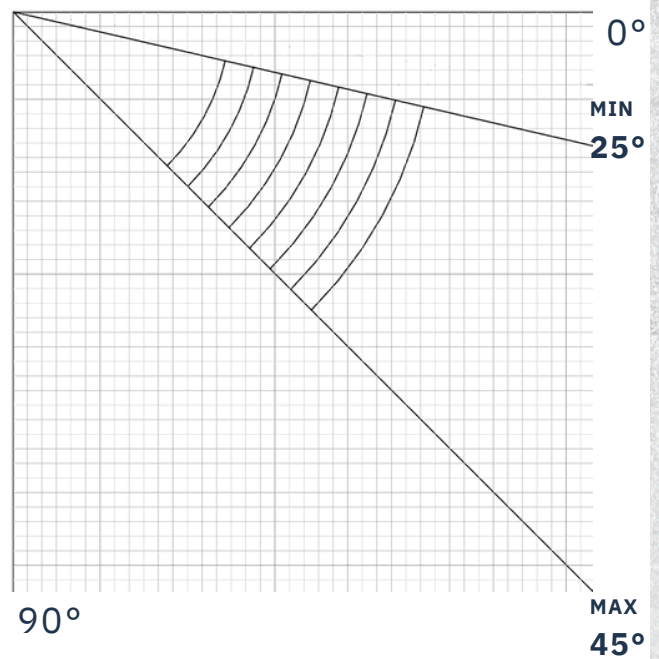
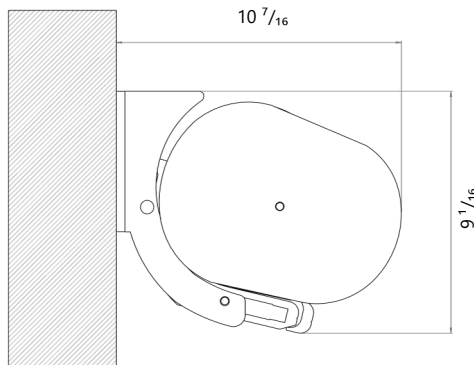




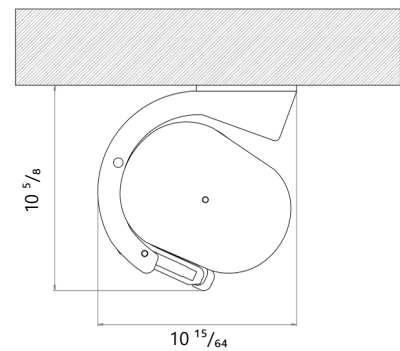
## SLOPE DIAGRAM



**DIMENSIONS CLOSED CASSETTE**  
wall mount



**DIMENSIONS CLOSED CASSETTE**  
ceiling mount



in ft	MINIMUM WIDTH REQUIREMENT PER FOLDING ARMS SET						
<b>ARM PROJECTION</b>	5.90	6.56	7.22	8.20	9.02	9.84	10.50
<b>MIN TUBE</b>	7.45	8.37	9.35	10.50	11.12	11.98	12.76





# CASSETTE AWNING

## MODEL EPIC

CASSETTE  
AWNINGS



WIND  
CLASS 2  
CE



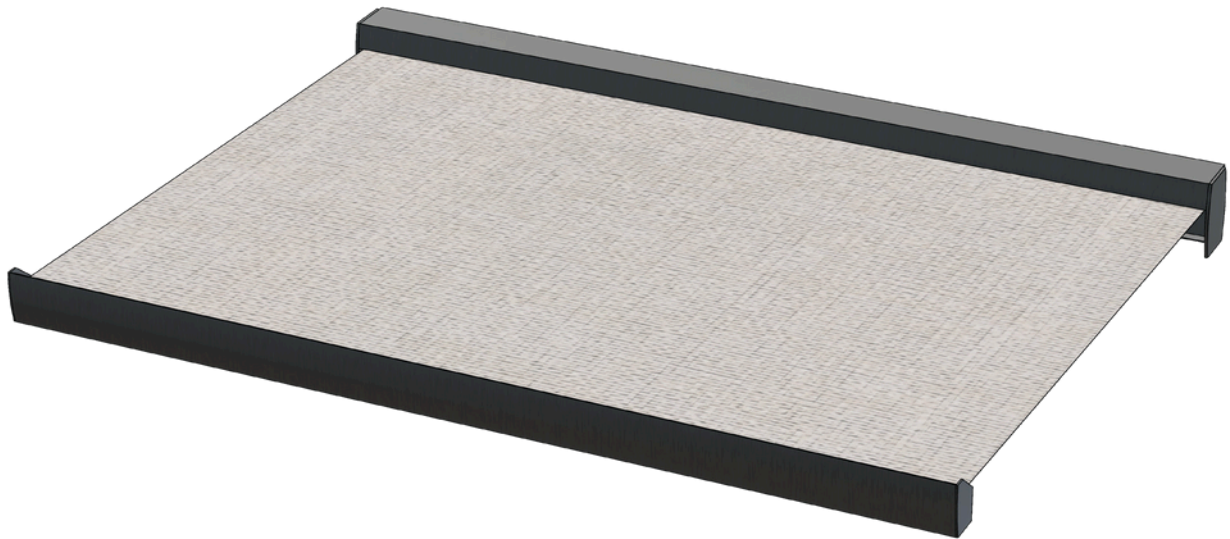
ISO 9001:2015



ISO 14001:2015

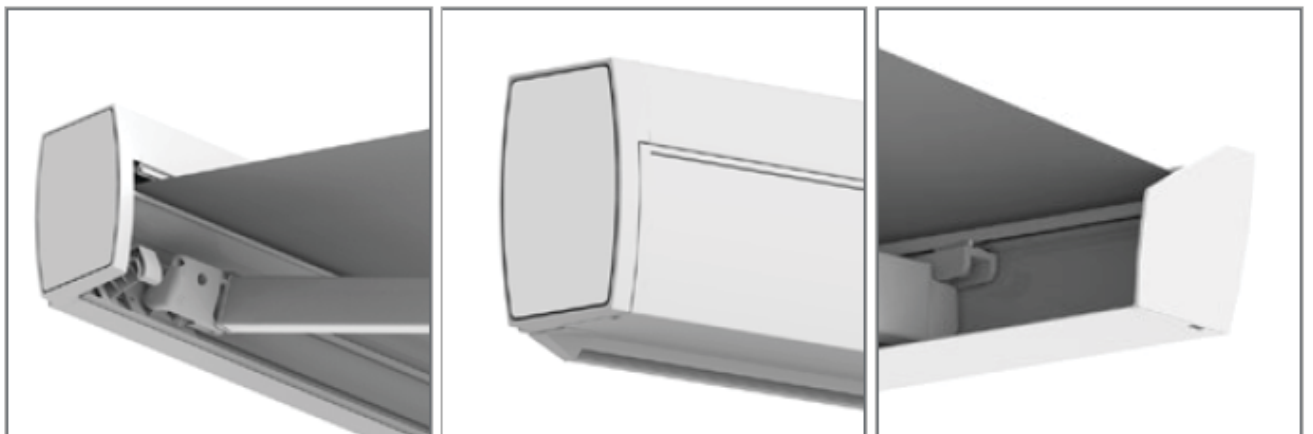


ISO 45001:2018

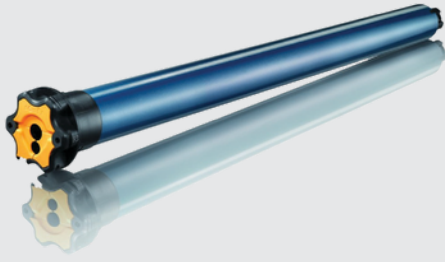


## GENERAL CHARACTERISTICS

The cassette awning **EPIC** merges **italian design by BAT** with **greek engineering by LAMDA**. Supported by 2, 3 or even 4 **MAXI folding arms** (with stainless steel chains) the **wall-mounted** model EPIC allows **inclinations up to 50°**. Wall or ceiling mounts are ideally bolted behind the arm mounts. All acrylic awnings utilized are **heat-sealed** to prevent water infiltration through the seams. Besides our standard white **any other RAL color** is available upon request and we also offer enhanced Marine-grade finish for coastal areas.



# ELECTRICAL OPERATIONS



**Model EPIC** operates with a **Somfy iO** electric motor. We offer wired as well as wireless solutions and a remote controlled operation is also possible with **TAHOMA Somfy** equipment which is available upon request.

# LIGHTING

With our **MAXI LED folding arms** that feature LED strips seamlessly integrated into the profile along their entire length, **EPIC** may be **ambiently enlightened**.

The LED lights are available in three different temperatures:

*warm (3000K) | cool (6000K) | daylight (4000K)*

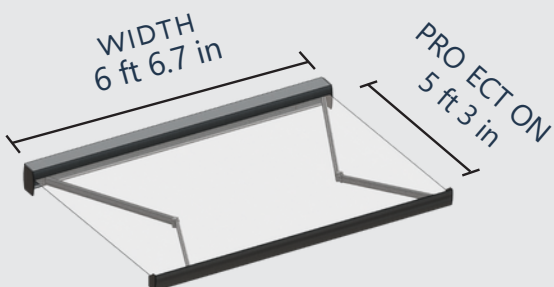
**i** ON/OFF and DIMMER operation  
RGB available



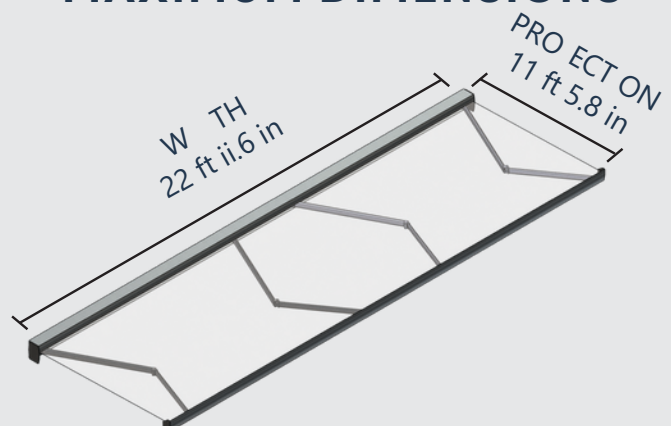
CASSETTE  
AWNINGS

# TECHNICAL SPECIFICATIONS

## MINIMUM DIMENSIONS

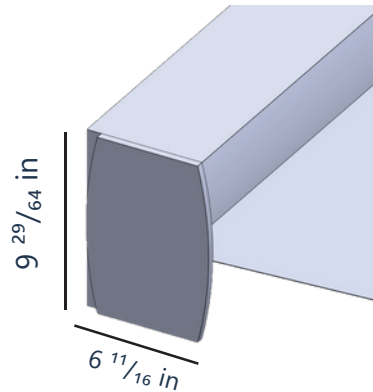


## MAXIMUM DIMENSIONS

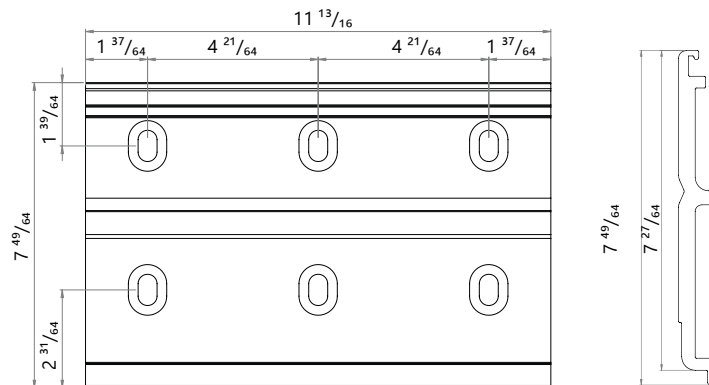




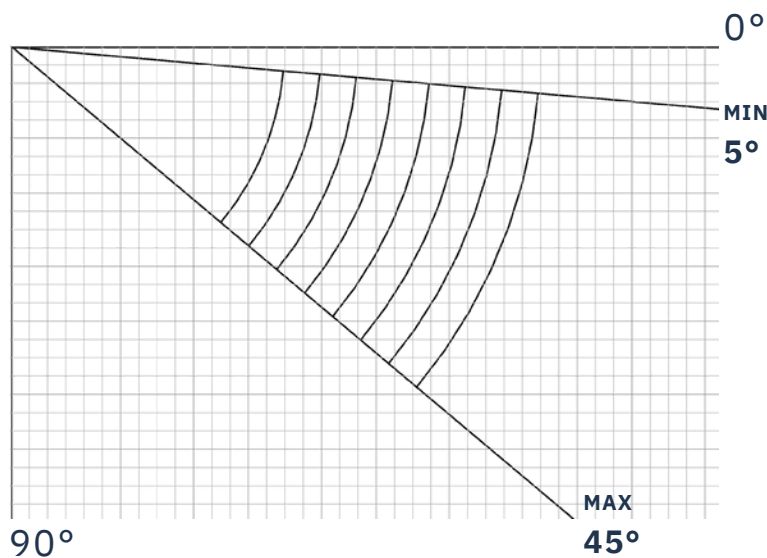
## CASSETTE DIMENSIONS



## BASE DIMENSIONS



## POTENTIAL FOR ADJUSTMENT



Biennially service is mandatory.



# ZIP

## VERTICAL ZIPPER AWNINGS



WIND  
CLASS 2  
CE



ISO 9001:2015



ISO 14001:2015



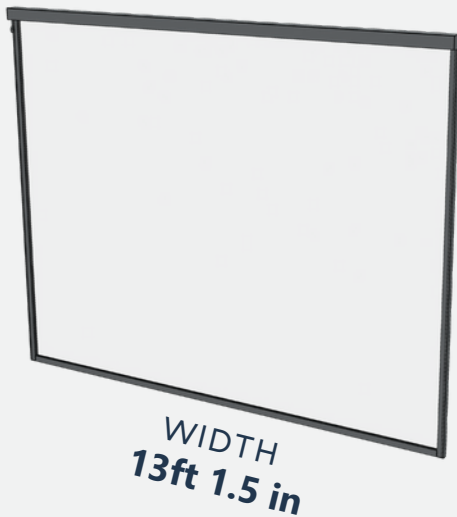
ISO 45001:2018

VERTICAL  
AWNINGS

# ZIP SCREEN 60



## MAXIMUM DIMENSIONS



WIDTH  
13ft 1.5 in

HEIGHT  
11 ft 5.8 in

## MINIMUM DIMENSIONS



WIDTH  
2 ft 3.6 in

HEIGHT  
3 ft 3.3 in

## GENERAL CHARACTERISTICS

The **ZIP SCREEN 60** is engineered for expansive areas and featuring patented Swiss-made plastic springs in its guides, which ensure **optimal performance**, even after minor (up to  $1 \frac{3}{16}$  in) deformations caused by wear and tear or weather conditions. Our imported, perforated fabrics, allow shading, privacy, and effective ventilation within the protected space. P SCREEN 60 is a perfect fit for vertical side coverings in awning and bioclimatic pergolas or other constructions.

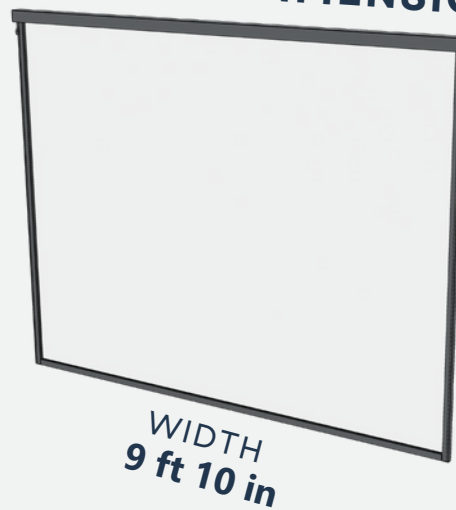


For an effective operation an additional weight on the counterweight bar is needed along with the drivers to be precisely parallel. Electrical or manual operation possible.



# ZIP SCREEN 50

## MAXIMUM DIMENSIONS




VERTICAL  
AWNINGS

## MINIMUM DIMENSIONS



## GENERAL CHARACTERISTICS

The **ZIP SCREEN 50** is our external shading solution suitable for minor openings such as windows and featuring as an *optional add-on* **patented Swiss-made plastic springs** in its guides. A blackout PVC may be used or also our imported, perforated fabrics, allow shading, privacy, and effective ventilation within the protected space.

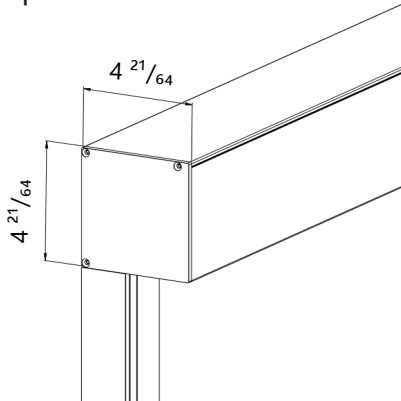
 Only electrical operation is possible.



## CASSETTE

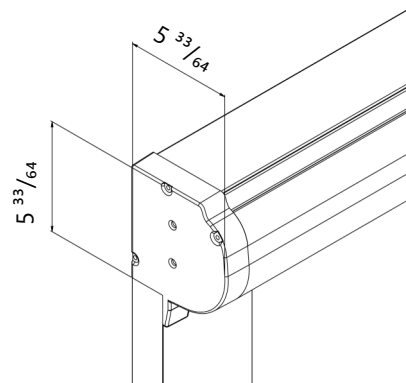
### SQUARE

Height up to 9 ft 10 in

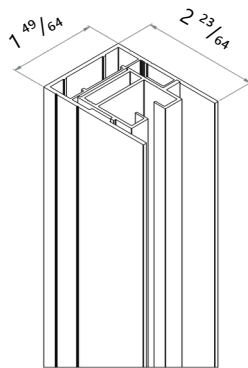


### BIG

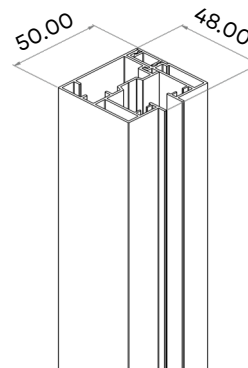
Height up to 13 ft 1.5 in



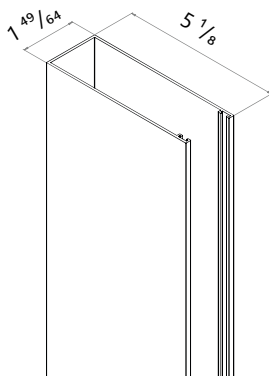
## DRIVERS



**ZIP**  
2 23/64 mm



**ZIP**  
1 31/32 mm



### DRIVER BT

**BT drivers** are suitable for both models - **ZIP50** and **ZIP60** making them ideal for gelatin screens or large surfaces.

**i** Aluminum counterweight or a 1-inch tube Zipless



ISO 9001  
by



Annual service is mandatory.



# SCREEN VERTICAL AWNINGS



WIND  
CLASS 1  
CE



VERTICAL  
AWNINGS

✓ ISO 9001:2015

✓ ISO 14001:2015

✓ ISO 45001:2018

**SCREEN**  $\varnothing$   $\frac{5}{32}$  in  
(wire rope)




<b>MIN. DIMENSIONS</b>	<b>WIDTH</b> 1ft 7.7 in	<b>HEIGHT</b> 3ft 3 in
<b>MAX. DIMENSIONS</b>	<b>13 ft 1.5 in</b>	<b>9 ft 10 in</b>



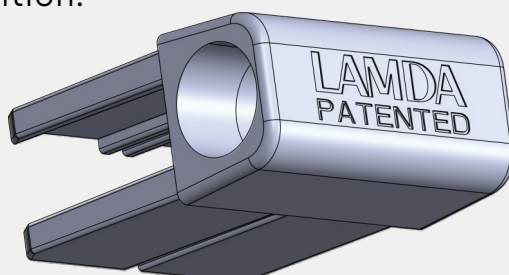
## GENERAL CHARACTERISTICS

**SCREEN**  $\varnothing$   $\frac{5}{32}$  is an external shading system for expansive surfaces. It operates manually (without a cassette) or electrically (with a cassette).


A **variety of shading cloths** is available such as blackout PVC, acrylic and our imported, perforated fabrics.

 The use of an air sensor for automatic closure is recommended.

With **LAMDA AUTOLOCK**, automatic locking is possible when the system is in inoperative position.



## AUTO LOCK MECHANISM

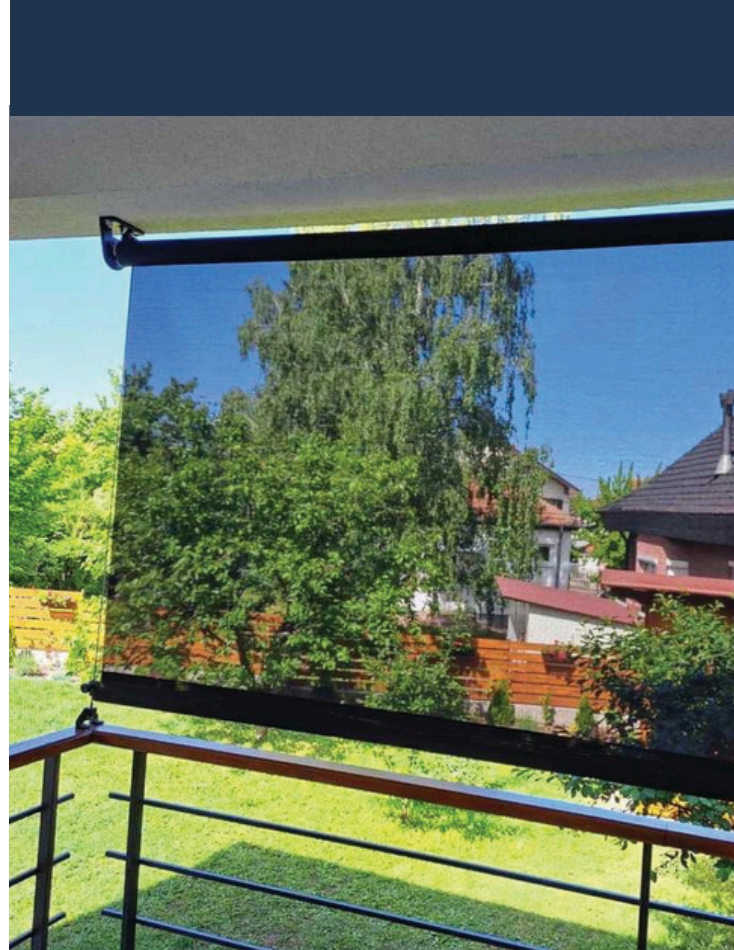
 optional, part No. : 41614

# SCREEN $\varnothing \frac{25}{64}$

(stainless steel rope)



	WIDTH	HEIGHT
MIN. DIMENSIONS	1 ft 7.7 in	3 ft 3.4 in
MAX. DIMENSIONS	13 ft 1.5 in	9 ft 10 in



## GENERAL CHARACTERISTICS

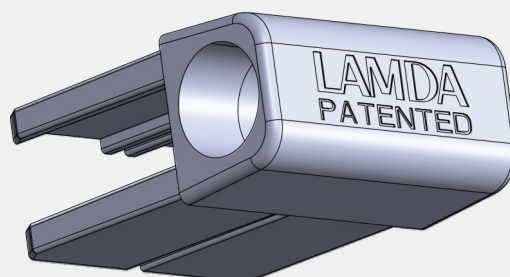
VERTICAL  
AWNINGS

**SCREEN  $\varnothing \frac{25}{64}$**  is an external shading system suitable for compact surfaces. It operates manually (without a cassette) or electrically (with a cassette).

A variety of shading cloths is available such as blackout P C, acrylic and our imported, perforated fabrics.

With LA A AUTOLOC, automatic locking is possible when the system is in inoperative position.

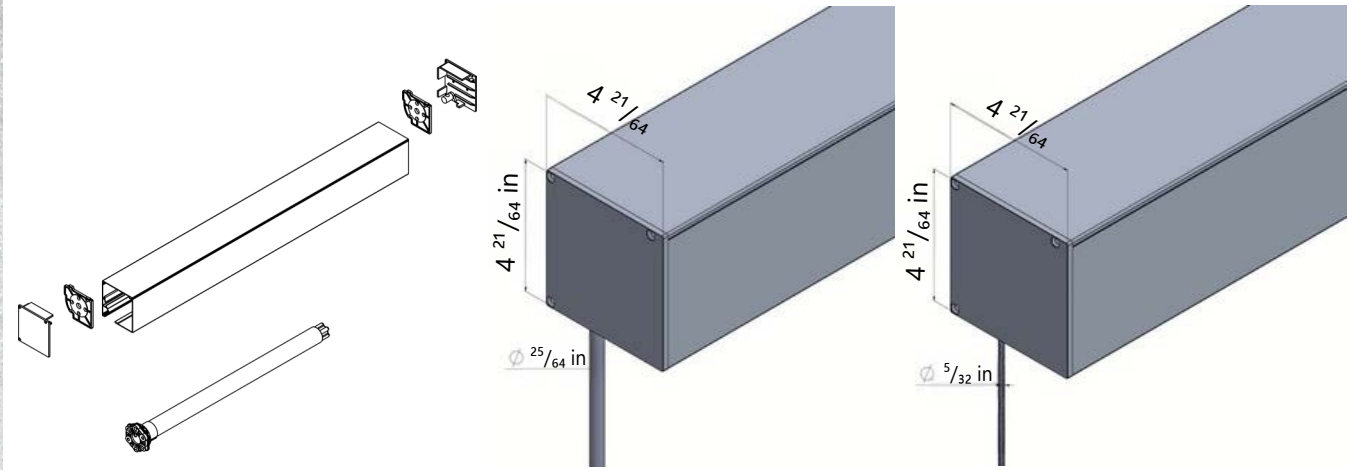
### AUTO LOCK MECHANISM



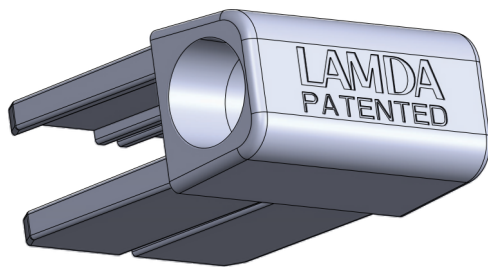
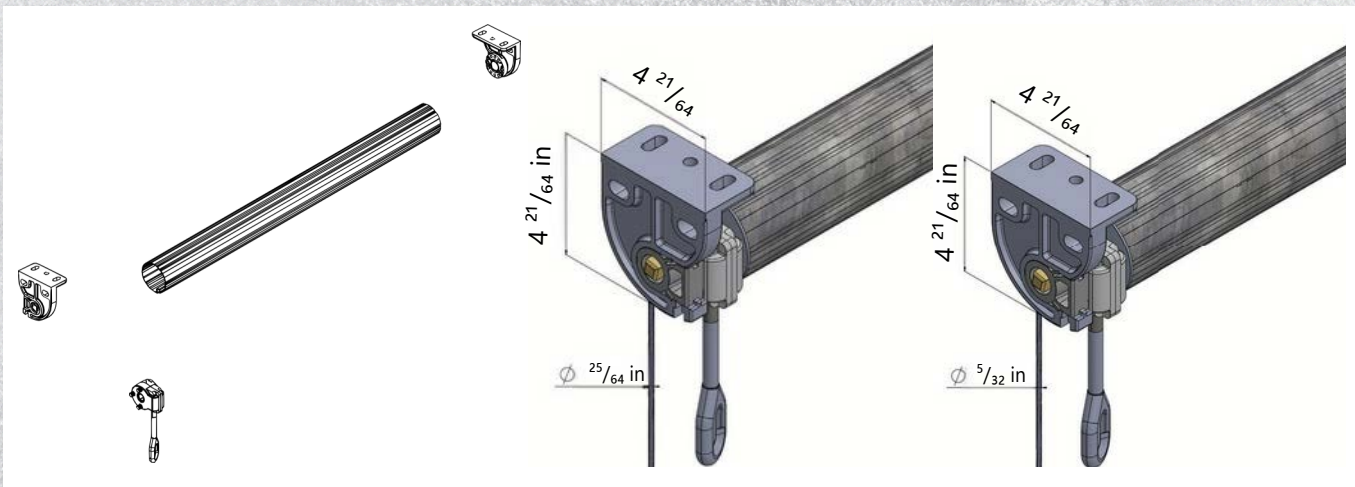
**i** optional, part No. : 41614



## CASSETTE



## CABRIO



Part No.: 41614

## AUTO LOCK MECHANISM

**i** CASSETTE or CABRIO



ISO 9001  
by





# HORIZONTAL MOVING SHADING BLINDS

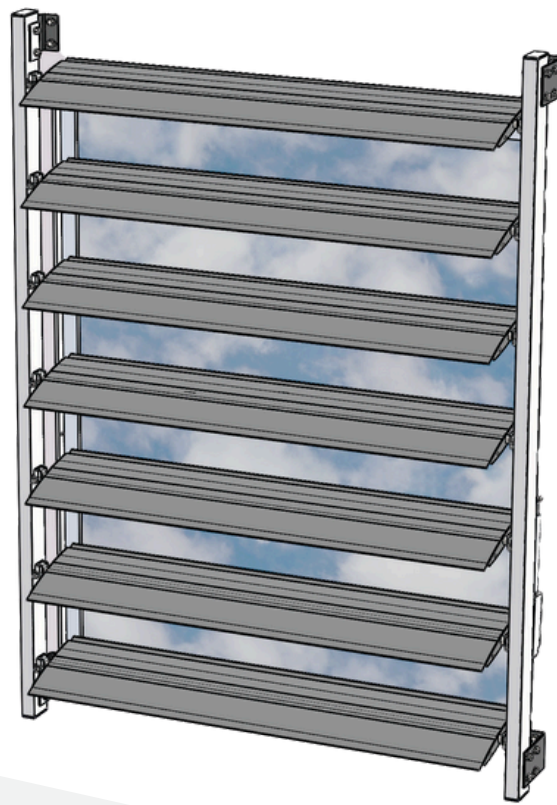


✓ ISO 9001:2015

✓ ISO 14001:2015

✓ ISO 45001:2018

SHADING BLINDS



## GENERAL CHARACTERISTICS

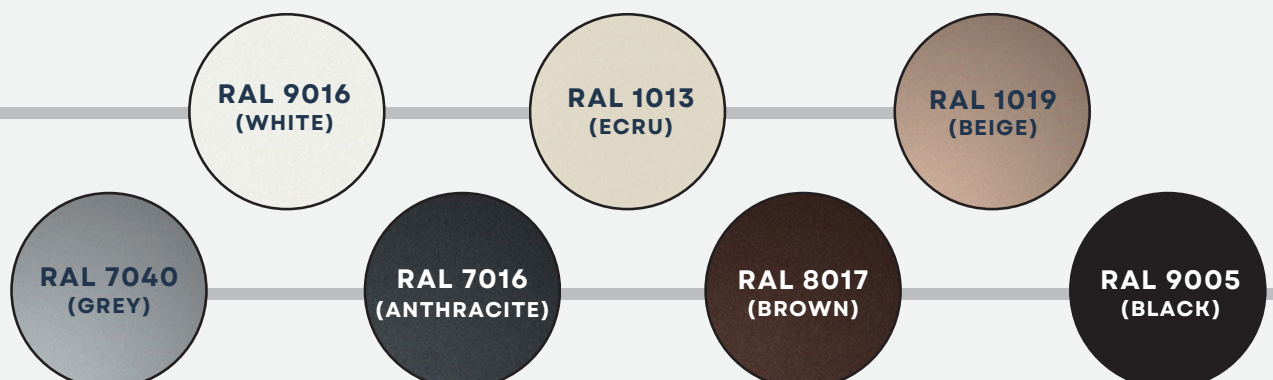
This system is engineered to provide **sunlight protection for building facades**. It is particularly well-suited for glass curtains or other openings, such as large windows. By adjusting the blinds, natural lighting can be efficiently controlled, including complete blackout.

Their installation can be facilitated by anchoring to a wall or other suitable metal structures, with a direct modification of the support base, as the blinds are predicated on mounted nylon bearings. The installation of the blinds is both **swift and straightforward**.

**i** The blinds (11 <sup>13</sup>/<sub>16</sub> x 1 <sup>3</sup>/<sub>16</sub> in) can function within a range of -5° to 45°, with 0° representing the horizontal position.

## RAL COLORS

AT NO ADDITIONAL COST





**LAMDA**  
SHADING SYSTEMS MANUFACTURER

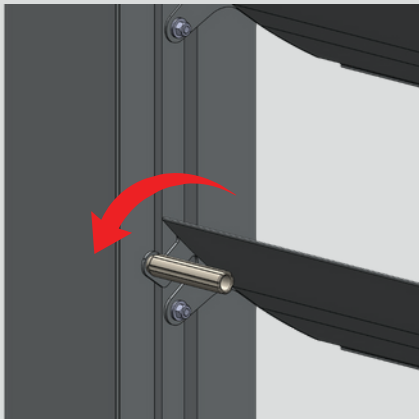
## ELECTRICAL OPERATION



The system is powered by a **Somfy** rock piston motor, which is positioned between the blinds and the wall to ensure it remains hidden.

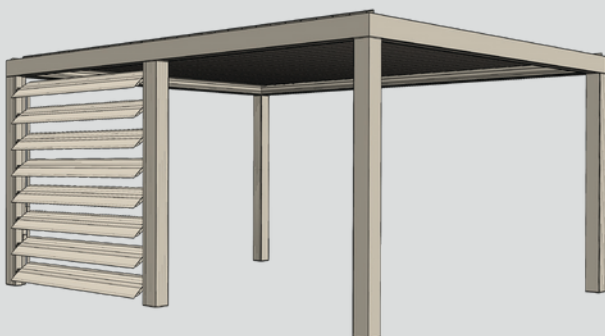
Operation is facilitated with a switch.

## MANUAL OPERATION



If access to the system is available from inside the building, it can be operated manually with remarkable ease using only a handle.

## PERGOLA SIDE COVER



The system can serve as an exceptional side cover for any type of pergola.

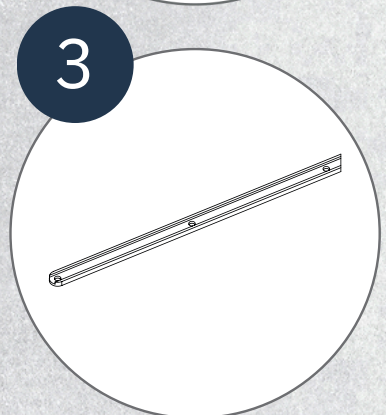
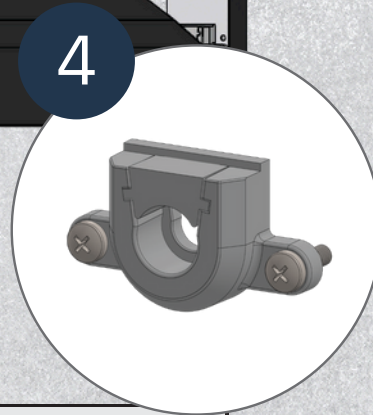
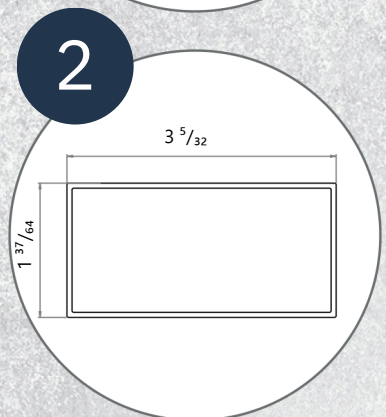
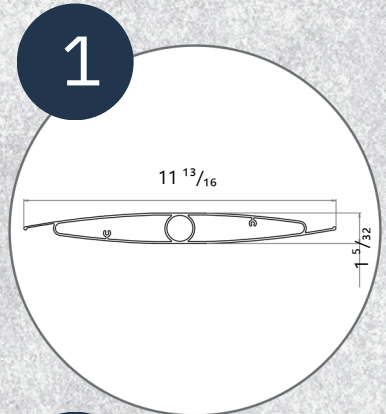
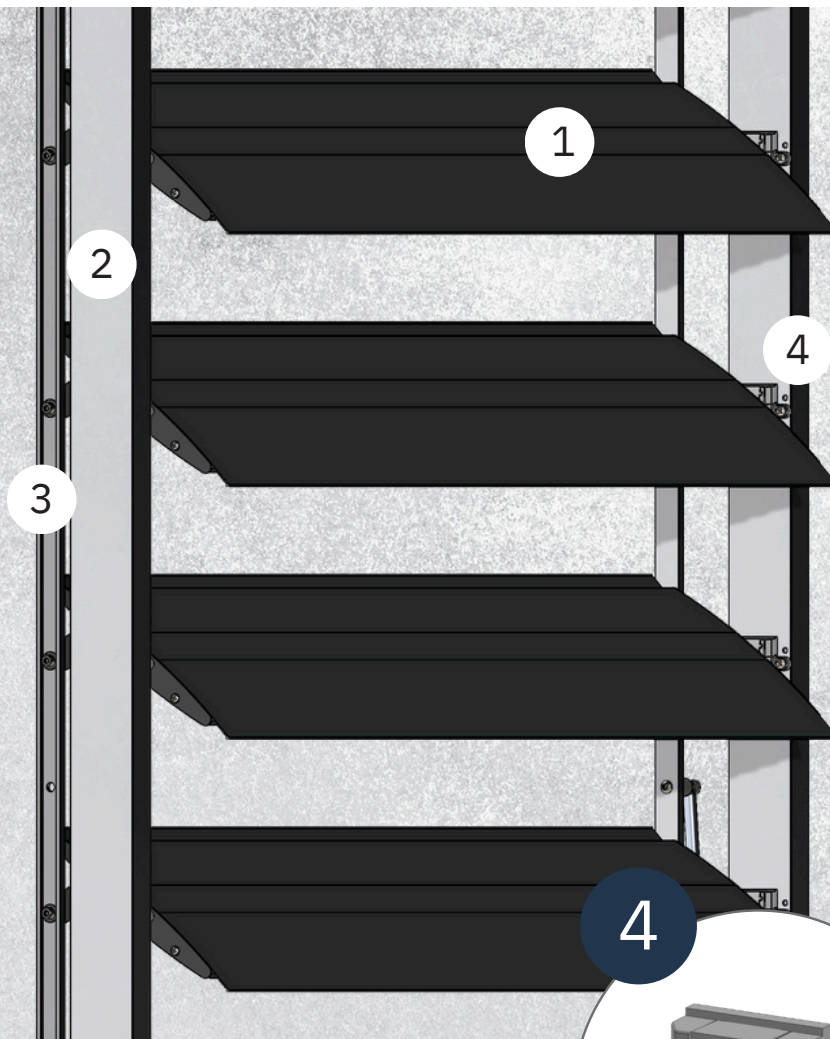
This solution allows effective management of both sunlight and wind.



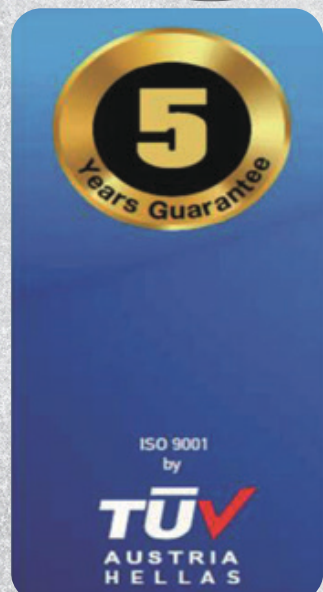
# TECHNICAL SPECIFICATIONS



**LAMDA**  
SHADING SYSTEMS MANUFACTURER



NUMBER OF BLINDS	SYSTEM HEIGHT	
	FROM	UP TO
4 blinds	43 <sup>15</sup> / <sub>16</sub> in	46 <sup>17</sup> / <sub>32</sub> in
5 blinds	54 <sup>41</sup> / <sub>64</sub> in	58 <sup>7</sup> / <sub>64</sub> in
6 blinds	65 <sup>23</sup> / <sub>64</sub> in	69 <sup>11</sup> / <sub>16</sub> in
7 blinds	54 <sup>51</sup> / <sub>64</sub> in	81 <sup>17</sup> / <sub>64</sub> in
8 blinds	86 <sup>49</sup> / <sub>64</sub> in	92 <sup>53</sup> / <sub>64</sub> in
9 blinds	97 <sup>31</sup> / <sub>64</sub> in	104 <sup>13</sup> / <sub>32</sub> in
10 blinds	108 <sup>3</sup> / <sub>16</sub> in	115 <sup>63</sup> / <sub>64</sub> in





# PERGOLA WITH STATIONARY BLINDS



ISO 9001:2015

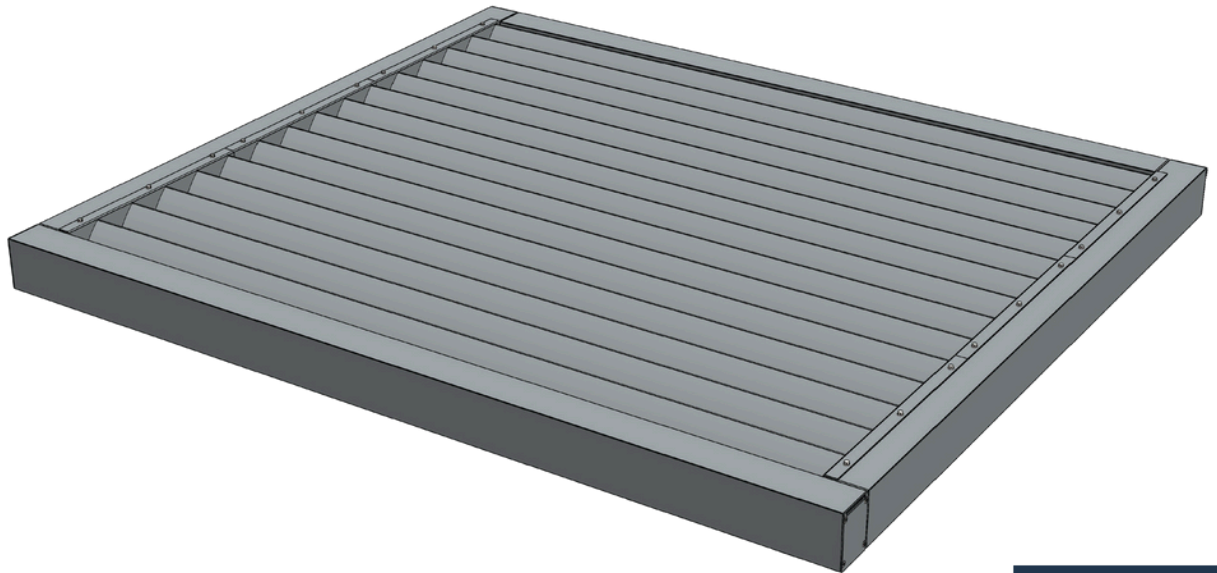


ISO 14001:2015



ISO 45001:2018

SHADING BLINDS



## GENERAL CHARACTERISTICS

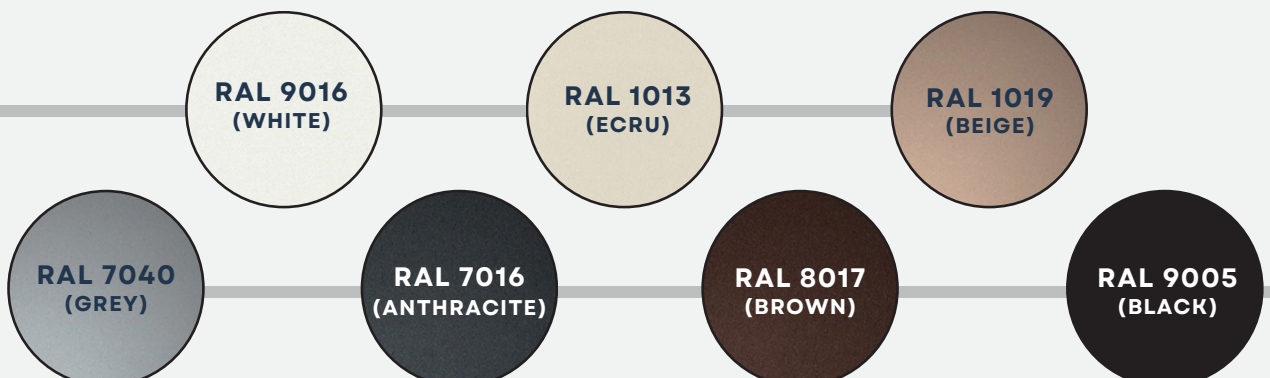
This pergola system provides shading while facilitating natural ventilation within the space. Constructed from aluminum, it requires minimal maintenance (cleaning) to ensure longevity, even in challenging environments (e.g. coastal areas).

The blinds ( $5 \frac{29}{32}$  in x  $6 \frac{3}{64}$  in) are positioned at a  $57^\circ$  angle, spaced every 9 ft 10 in (8 blinds per meter). Upon request, the blinds can be installed with a different spacing, not less than 3.3 in.

They are designed for easy and rapid installation, as we supply the blinds pre-assembled, affixed to aluminum corners, forming 1 ft 12 in panels. These panels are then simply secured to the perimeter frame.

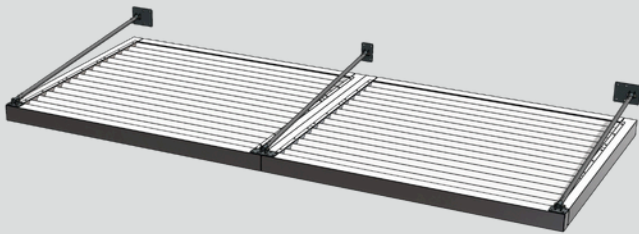
## RAL COLORS

AT NO ADDITIONAL COST



# OTHER APPLICATIONS

## PENDANT



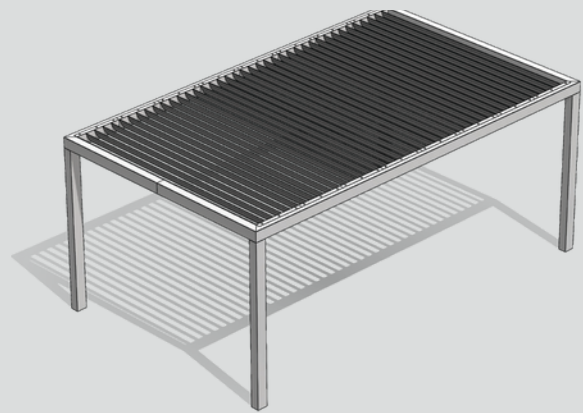
Utilizing metal suspensions, the system can be installed **without the need for columns.**

The maximum projection for this kind of construction is 11 ft 5.8 in

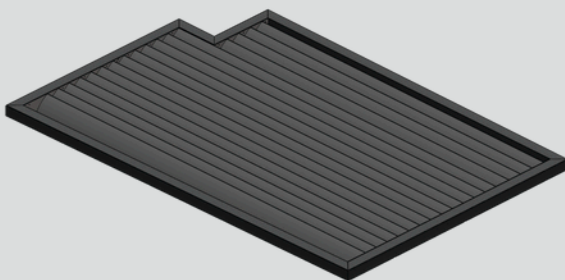
## SELF-SUPPORTING

The most prevalent application with a pergola being **self-supporting** involves a maximum width of 9ft 10 in, and a maximum projection of 16 ft 5 in.

The columns measure 5 8/64x3 60/64 in and feature a metal reinforcement core at the base.



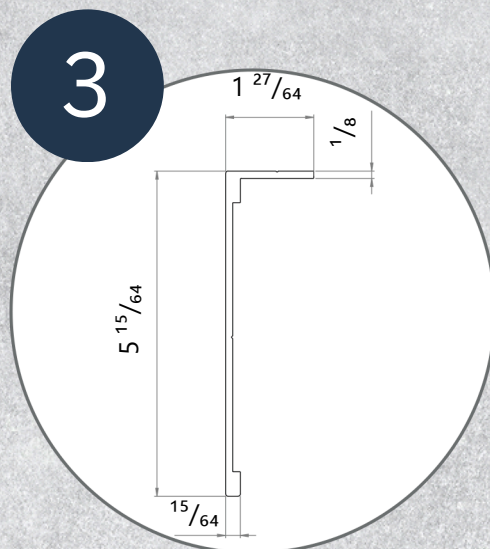
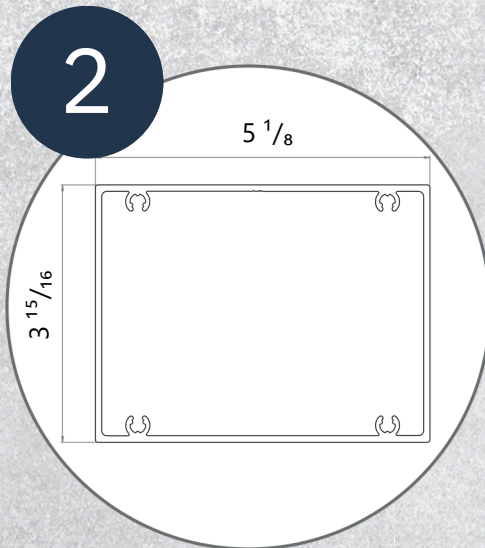
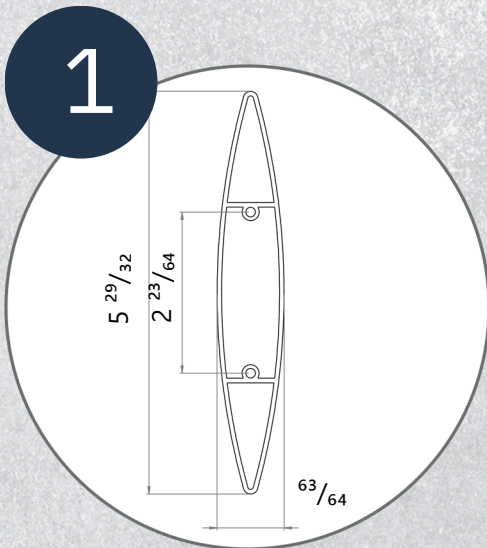
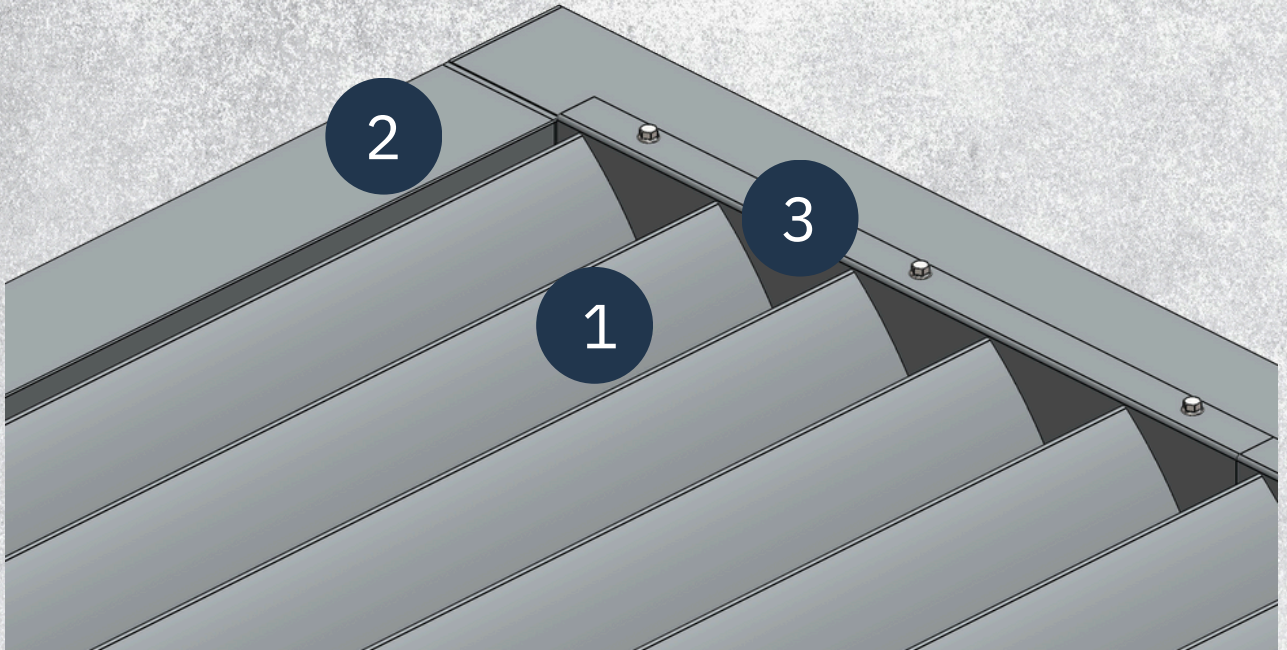
## TWISTED



## CUSTOM MADE

We are able to **adjust the system** for both horizontal and vertical openings, accommodating spaces that are not perfectly rectangular or that present obstacles requiring specialized cuts.

# TECHNICAL SPECIFICATIONS





# GLASS SYSTEMS

## SLIDING DOORS



ISO 9001:2015

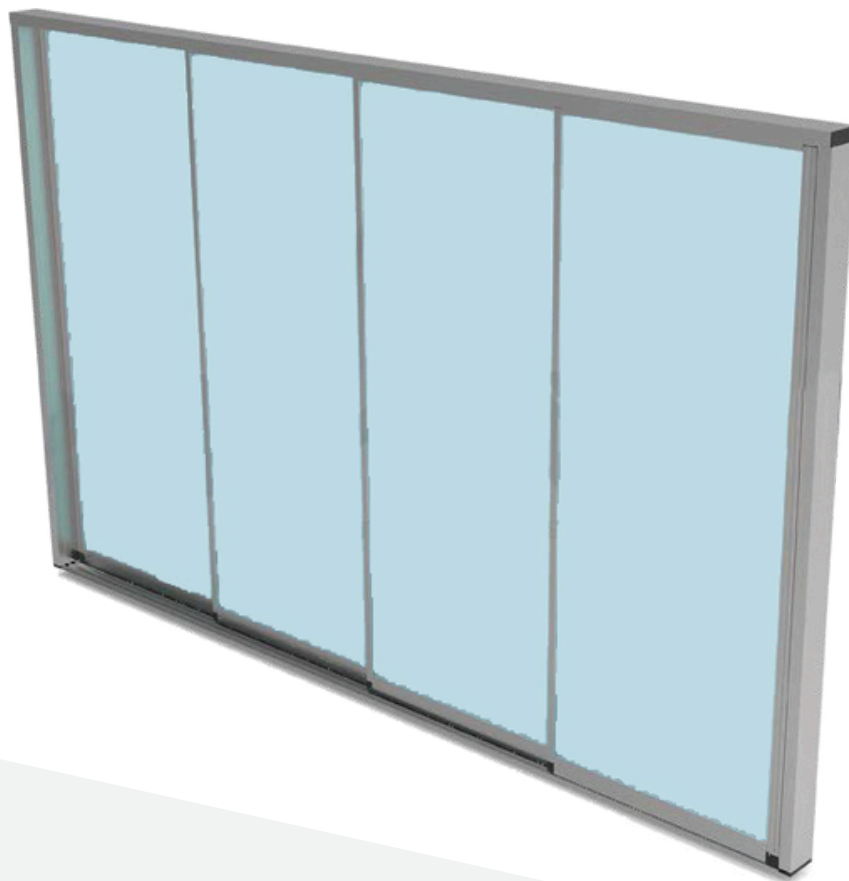


ISO 14001:2015



ISO 45001:2018

GLASS  
SYSTEMS



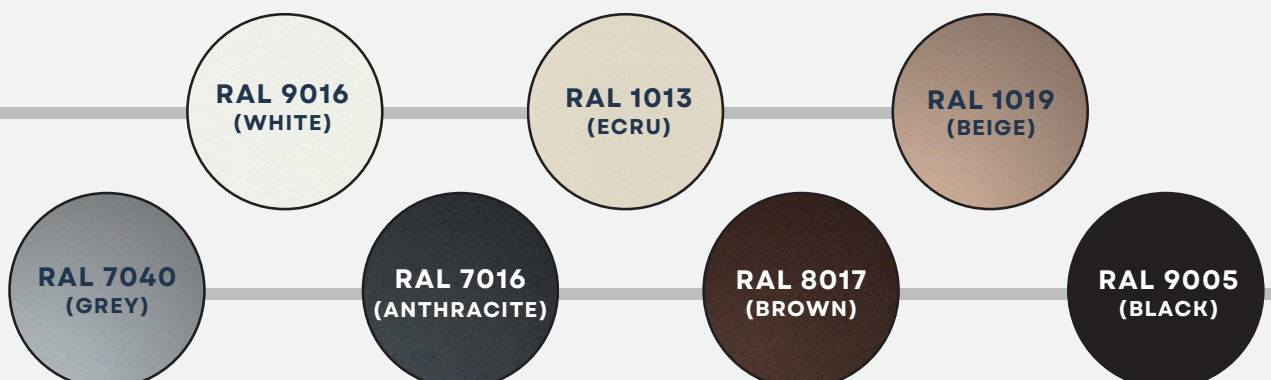
## GENERAL CHARACTERISTICS

The new generation **SLIDING DOORS** system consists of overlapping glass panels, featuring standard or **heavy duty glass** and three or four panels gliding along aluminum tracks. The parking location for the panels can be positioned on either the right or left side. The system is secured with a handle on the fixed section and incorporates a concealed, EU-made mechanism. Optionally, a handle with a locking feature can be installed.

- i* maximum width for each panel is 3 ft 3.4 in
- i* wooden box packaging recommended for secure transportation

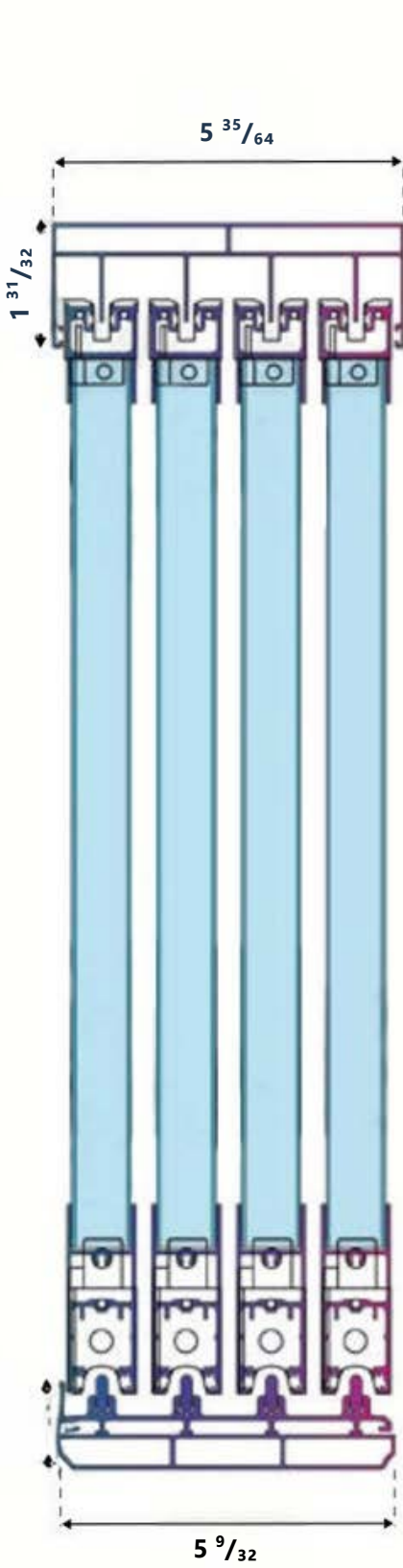
## RAL COLORS

AT NO ADDITIONAL COST

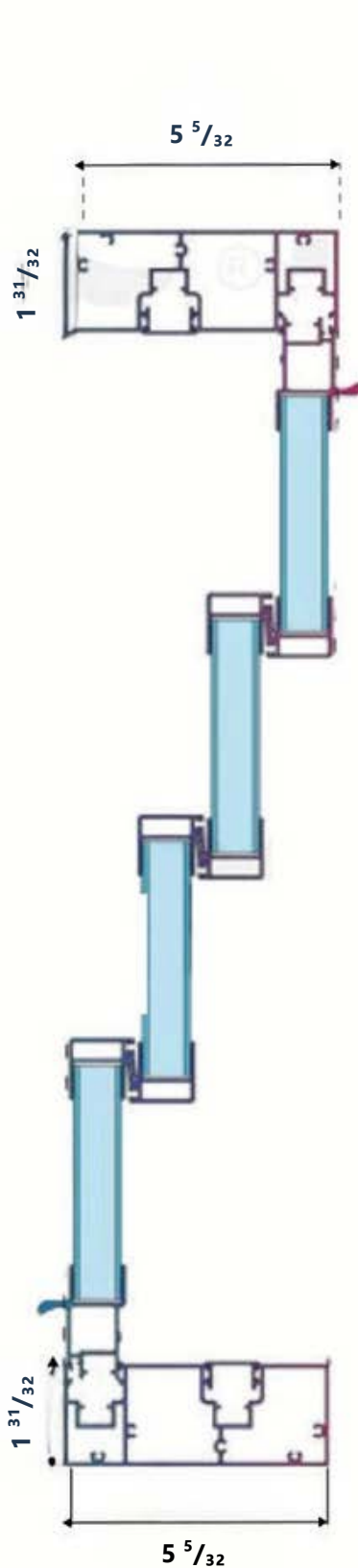




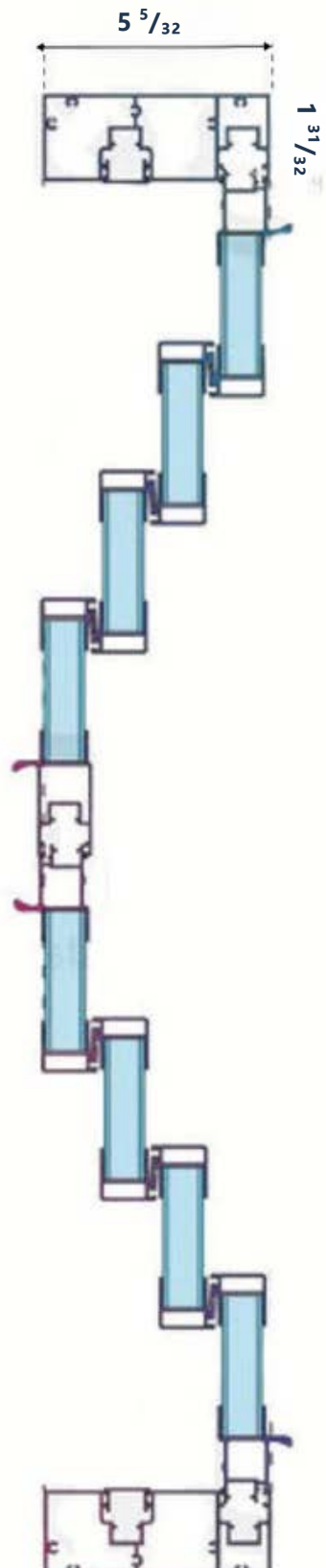
# DIMENSIONS



**SIDEVIEW**



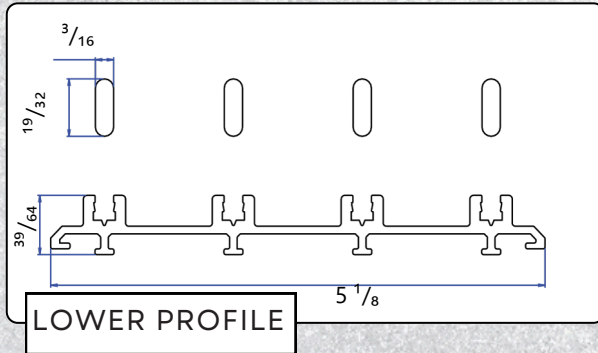
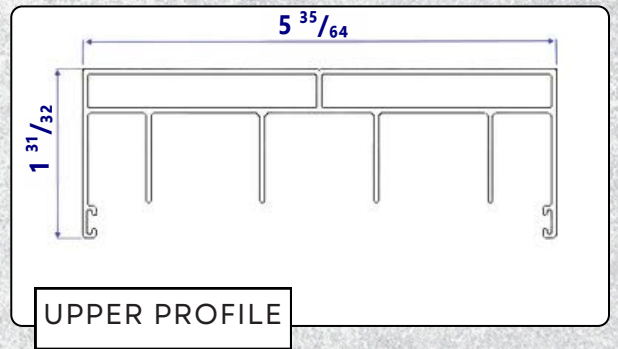
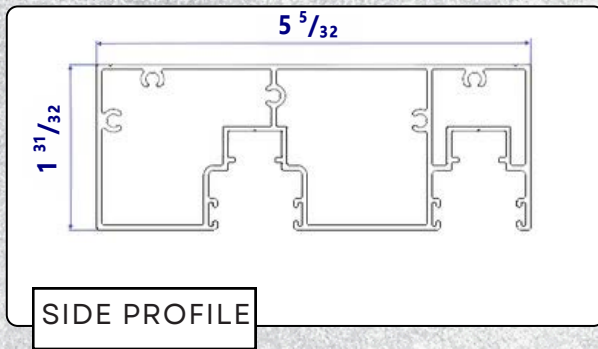
**SINGLE SYSTEM  
LAYOUT**



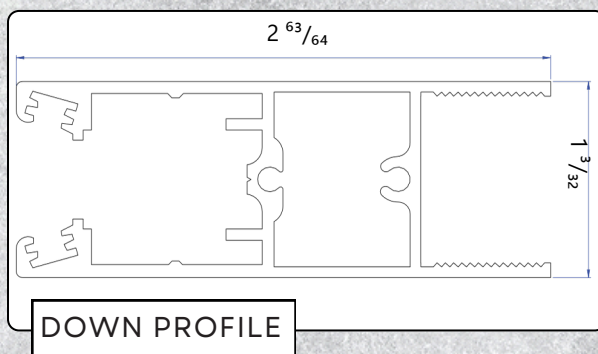
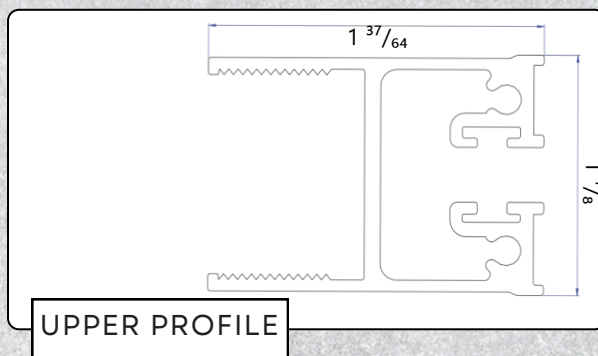
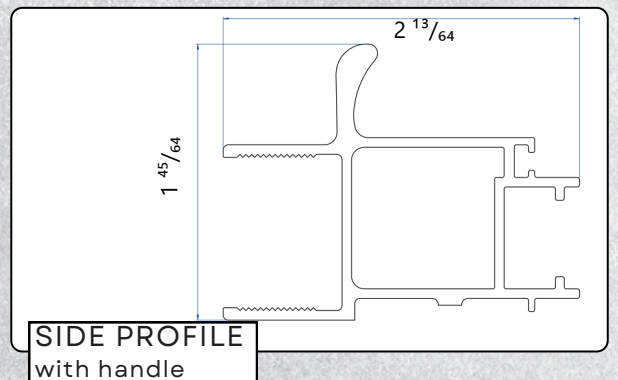
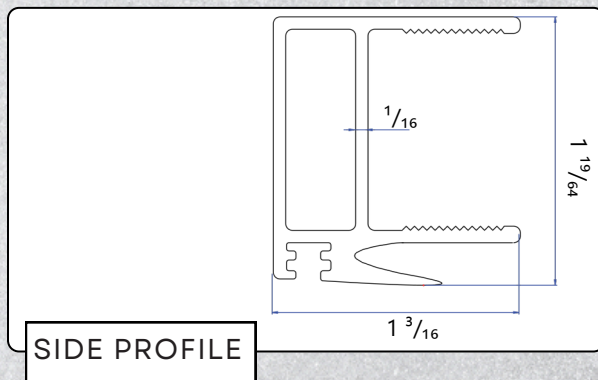
**DOUBLE SYSTEM  
LAYOUT**

GLASS  
SYSTEMS

## OUTER FRAME PROFILE



## GLASS PROFILE





# GLASS SYSTEMS

## UP-DOWN & GUILLOTINE



✓ ISO 9001:2015    ✓ ISO 14001:2015    ✓ ISO 45001:2018

GLASS  
SYSTEMS



## UP-DOWN DOUBLE

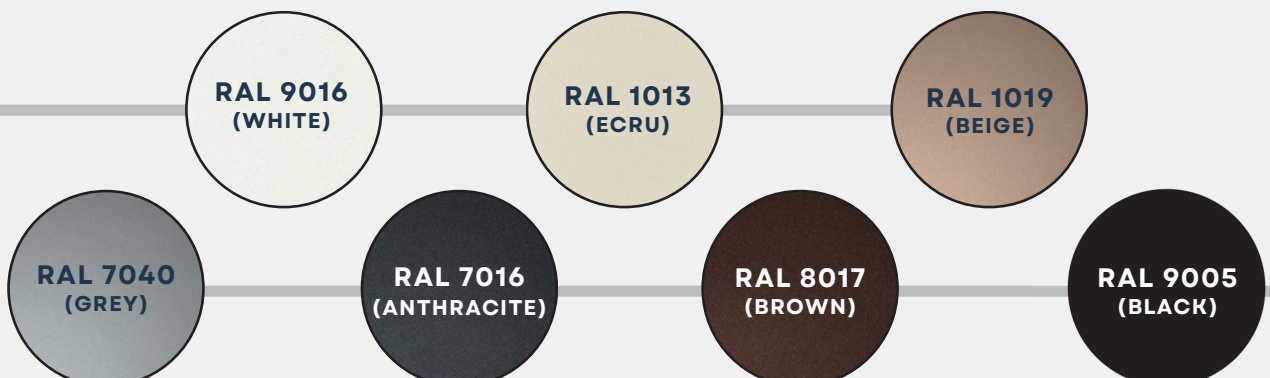
### GENERAL CHARACTERISTICS

The **UP-DOWN DOUBLE** windbreaker system is offering protection from the wind and is also a **modern solution** for enclosing courtyards in residential areas or commercial establishments. The system can be anchored to the ground or can be designed as in **mobile units** equipped with wheels and/or planters. The glass panels feature a **special treatment** that ensures, in the event of breakage, that the material solely fractures.

- i** triplex  $\frac{1}{8}$  +  $\frac{1}{8}$  in laminated glass panels
- i** wooden box packaging recommended for secure transportation

### RAL COLORS

AT NO ADDITIONAL COST





# GUILLOTINE TRIPLE

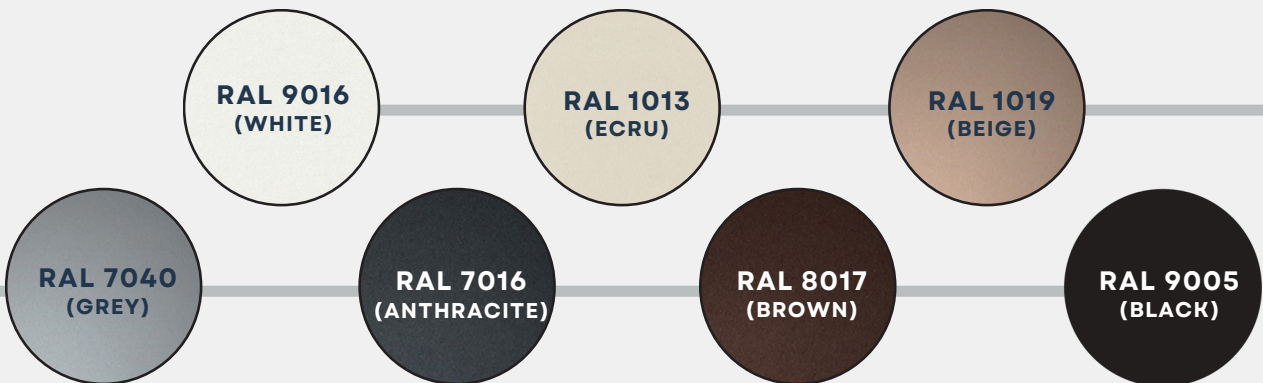
## GENERAL CHARACTERISTICS

Within the **GUILLOTINE TRIPLE** system, glass panels move vertically by a **Somfy** motor and a cevlar belt. With ease and a remote control it can be fixed at the desired level. This system is an **ideal solution**, especially in order to benefit from panoramic views, achieve high ventilation and keep the protected area partially or completely open.

- i** secure  $5/32 + 5/32$  in glass panels
- i** wooden box packaging recommended for secure transportation

## RAL COLORS

AT NO ADDITIONAL COST



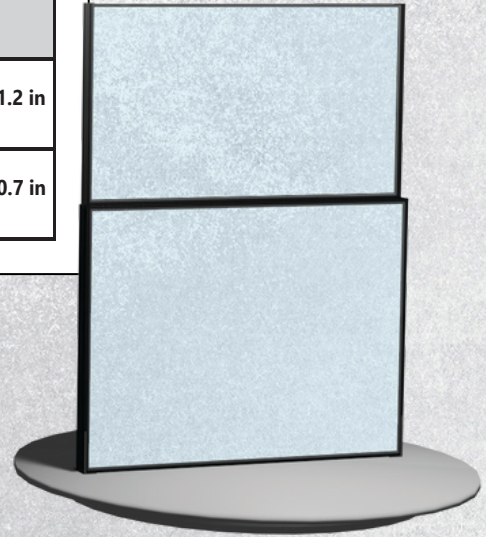


# DIMENSIONS

## UP-DOWN DOUBLE

Manually moveable system

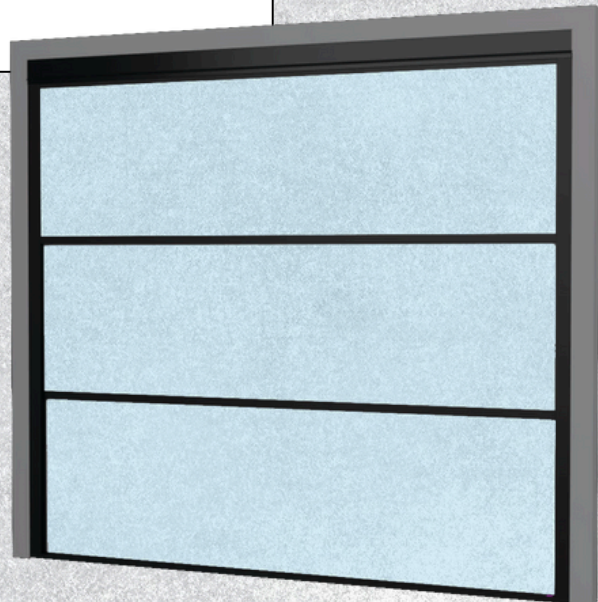
	HEIGHT				
<b>CLOSED</b>	3 ft 3.3 in	3 ft 5.3 in	3 ft 7.3 in	3 ft 9.2 in	3 ft 11.2 in
<b>OPEN</b>	5 ft 6.9 in	5 ft 10.9 in	6 ft 2.8 in	6 ft 6.7 in	6 ft 10.7 in



## GUILLOTINE TRIPLE

Electrically powered system

<b>MIN. DIMENSIONS</b>	<b>WIDTH</b> 6 ft 6.7 in	<b>HEIGHT</b> 6 ft 6.7 in
<b>MAX. DIMENSIONS</b>	<b>13 ft 1.5 in</b>	<b>9 ft 10.1 in</b>





# PV PANEL SYSTEMS

## CARPORT & PERGOLA-STYLE



ISO 9001:2015



ISO 14001:2015



ISO 45001:2018



# CARPORT photovoltaic panel system

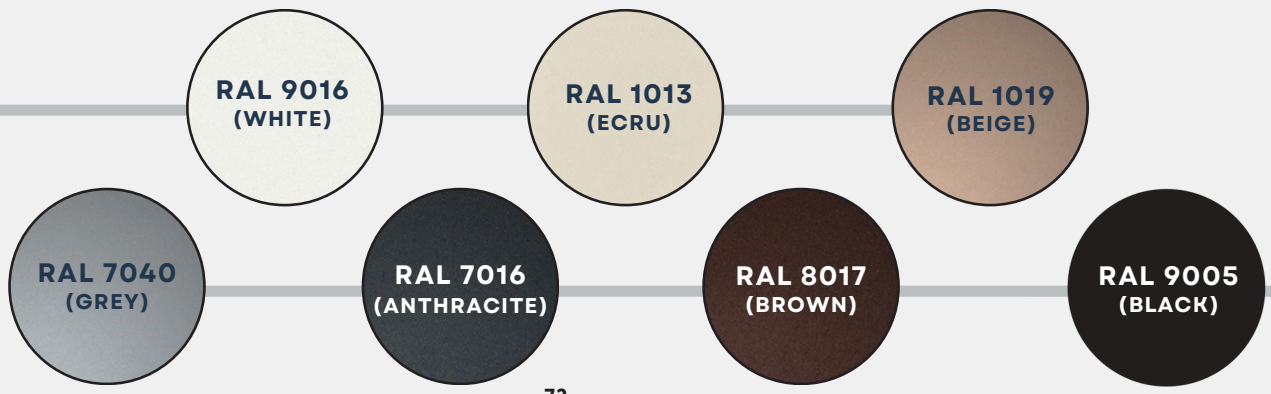
## GENERAL CHARACTERISTICS

Our **CARPORT photovoltaic panel system**, utilizes car parking spaces for the **production of electrical energy** and covers the **necessity for shading**. Constructed from robust metal, this system can be coated in any color using electrostatic paint, ensuring **exceptional durability**.

- i* Easy installation. No electrowelding required.
- i* We recommend 540W solar panels by SHARP 3 ft 9 in x 7 ft 5.8 in. Any other panels can be installed with a surcharge of 25%.

## RAL COLORS

AT NO ADDITIONAL COST



## PERGOLA-STYLE photovoltaic panel system



## PERGOLA-STYLE photovoltaic panel system

### GENERAL CHARACTERISTICS

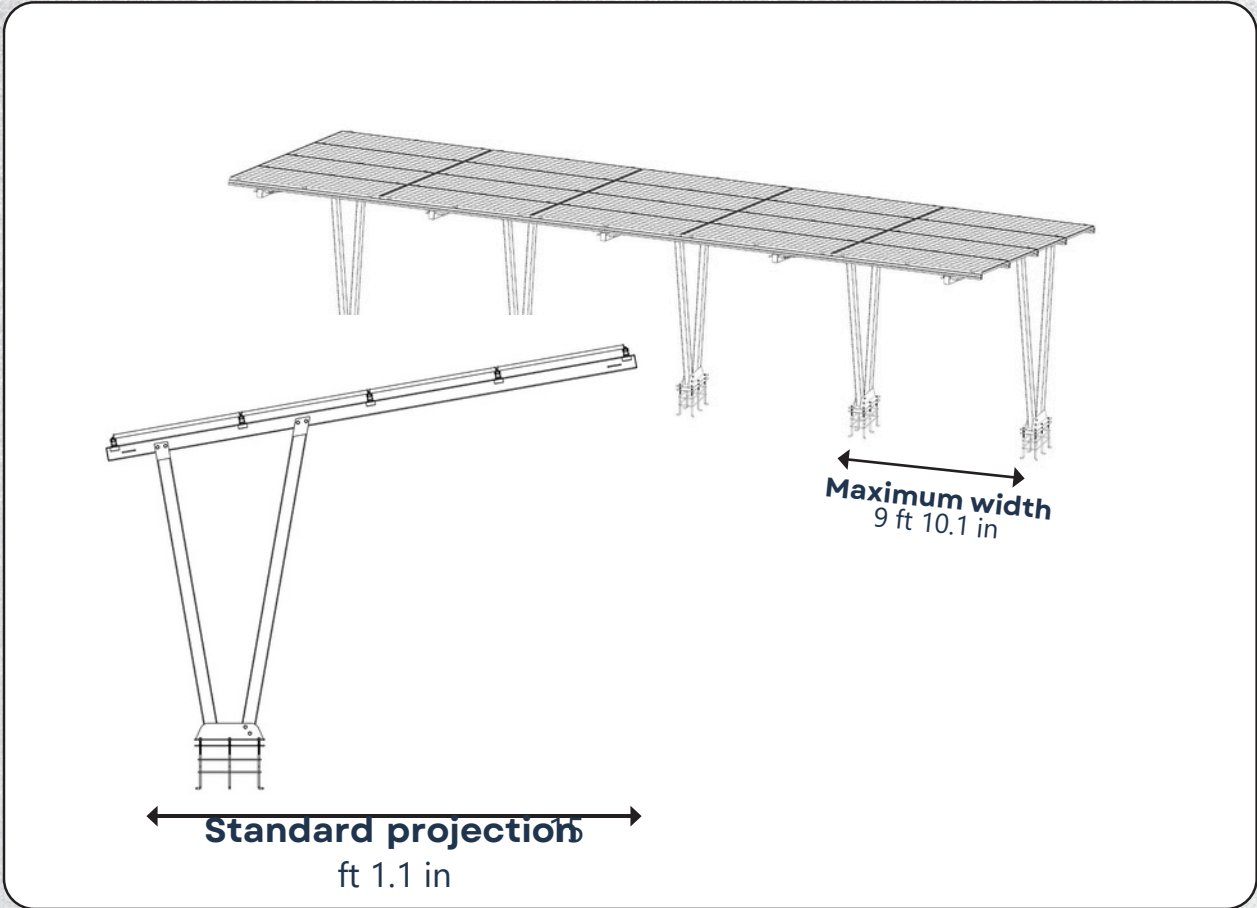
With our **PERGOLA-STYLE photo-voltaic panel system**, the available space beneath can be utilized efficiently. This system can be installed on rooftops or in courtyards and its based on electro-statically coated metal beams measuring  $3 \frac{5}{32} \times 3 \frac{5}{32}$  in.

- i** Easy installation. No electrowelding required.
- i** We recommend 540W solar panels by SHARP 3 ft 8.9 in x 7ft 5.8 in . Any other panels can be installed with a surcharge of 25%.

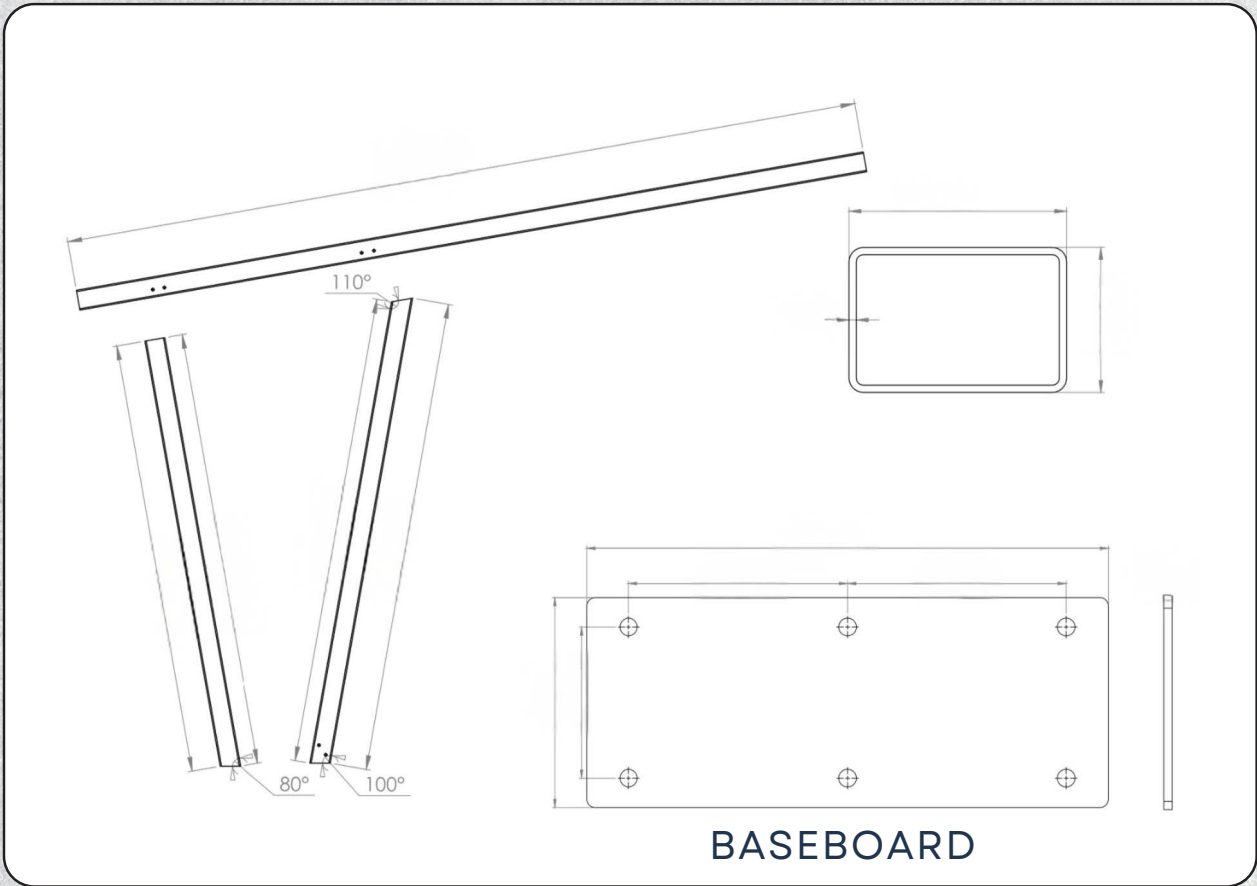
### MAXIMUM DIMENSIONS



# DIMENSIONS photovoltaic carports



# SPECIFICATIONS photovoltaic carports



# EXPAND YOUR OUTDOOR



**LAMDA**  
SHADING SYSTEMS MANUFACTURER



Green energy is in high demand, and we are committed to sustainable practices. More than **80% of our products are made from recycled raw materials** and over **90% of our waste is recyclable**, reflecting our dedication to environmental responsibility.

# EXPAND YOUR OUTDOOR



## FACTORY A

Address: 34 km.Nat. Rd. Lavrio - Kalyvia • Attica • 190 10 • GREECE

Phone: +30 229 90 63 015-16 • Fax: +30 229 90 63 017



## FACTORY B

Address: 2 km.Nat. Rd. Kalyvia - Markopoulo • Attica • 190 10 • GREECE

Phone: +30 229 90 63 720

[info@lamda.com.gr](mailto:info@lamda.com.gr) • [www.lamda.com.gr](http://www.lamda.com.gr)